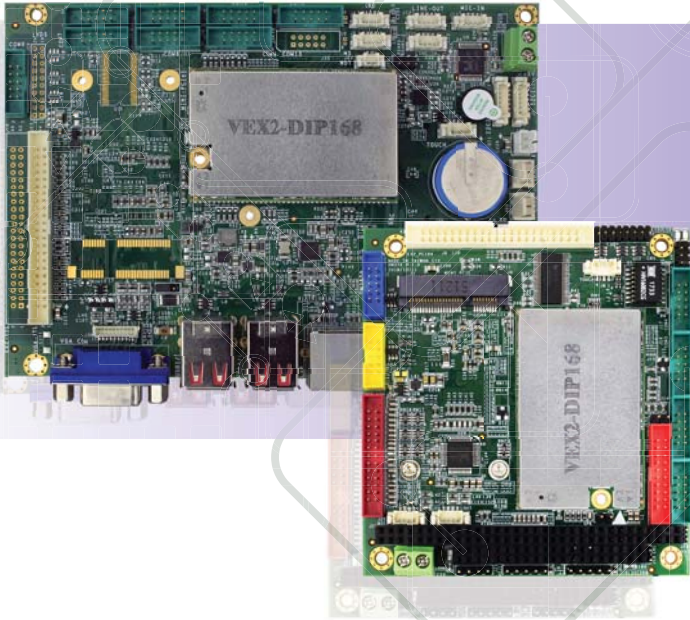


To emBEdDED OR NOT TO emBEdDED

Evolve your device without troubles



ICOP Technology, established in 1997, is the world leading manufacturer of industrial embedded computers, industrial embedded controllers, industrial motion controllers, and industrial panel PCs used in the automation of numerous control systems.

Products

Modules



- ETX
- COMExpress
- Qseven
- SMARC
- SOM-304/200/128

SBC



- PC/104
- 3.5" SBC
- 2.5"/Tiny
- ISA Half-size
- ITX Board

PPC



- 4.3"
- 5.7"
- 9"
- 10.4"
- 15"

Box PC



Flash Disk



Key Feature

-40 to 85°C

Long life supply

I/O Expandable

Legacy OS support

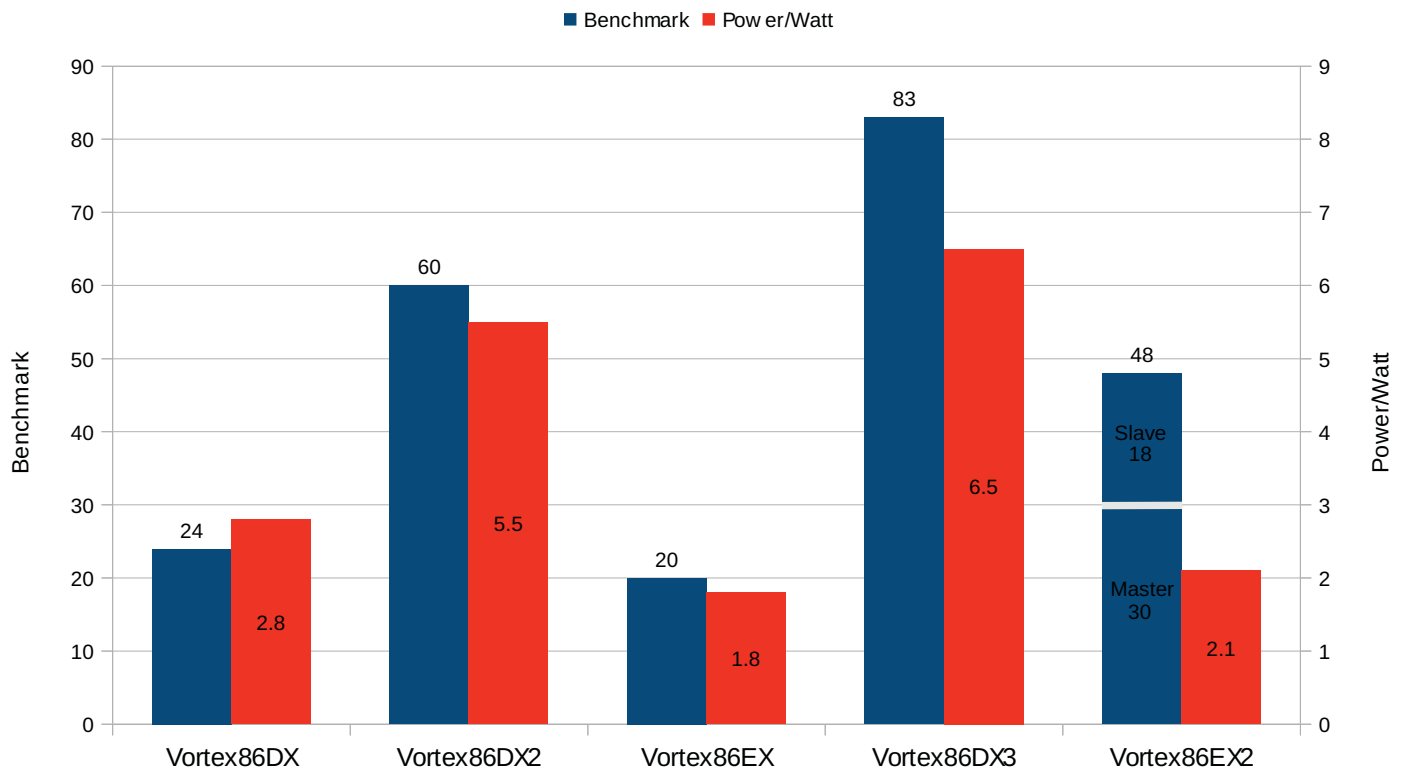
Fanless

EtherCAT Ready

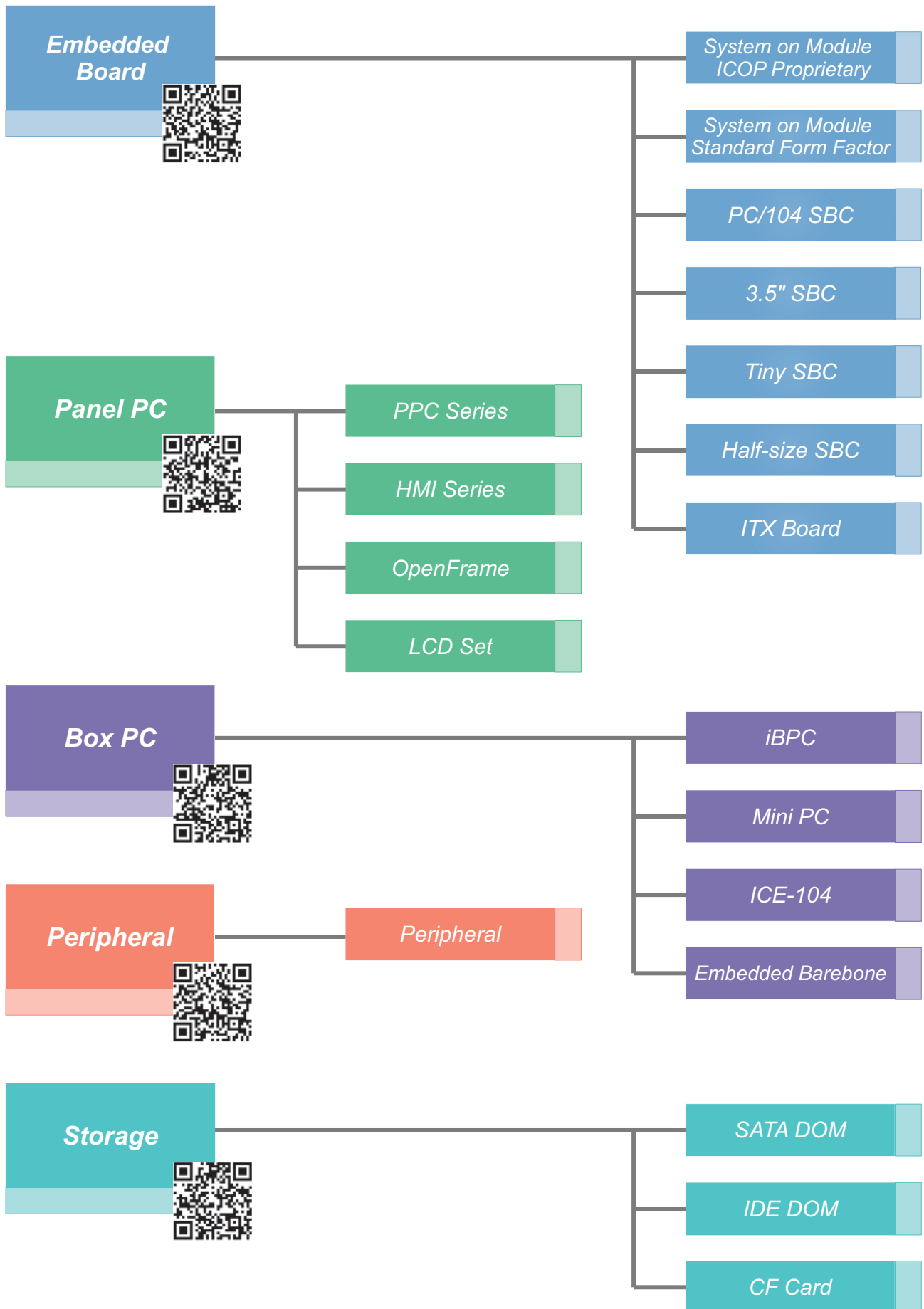
- SOM
- Panel PC

- Windows, Linux, VxWorks, QNX, RTOS, DOS

Benchmark & Power Consumption Index



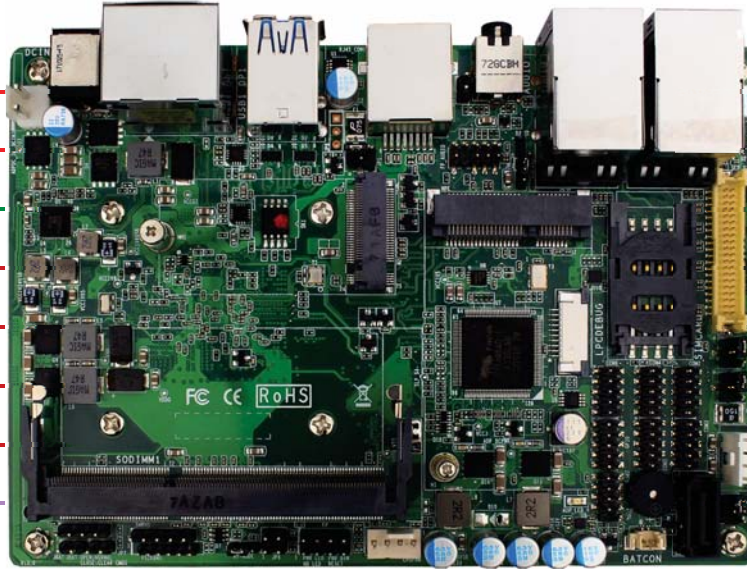
Product Tree



3.5" SBC (Intel based)

APL-35-N3350

- Intel Apollo Lake N3350
- DDR3L up to 8GB
- MiniPCIe x1
- USB x6
- DisplayPort
- eDP
- Audio
- M.2 SATA



- SATA
- Micro SD card slot
- COM x6
- GigaLAN x2
- GPIO
- PS/2
- SIM card holder
- 12VDC input

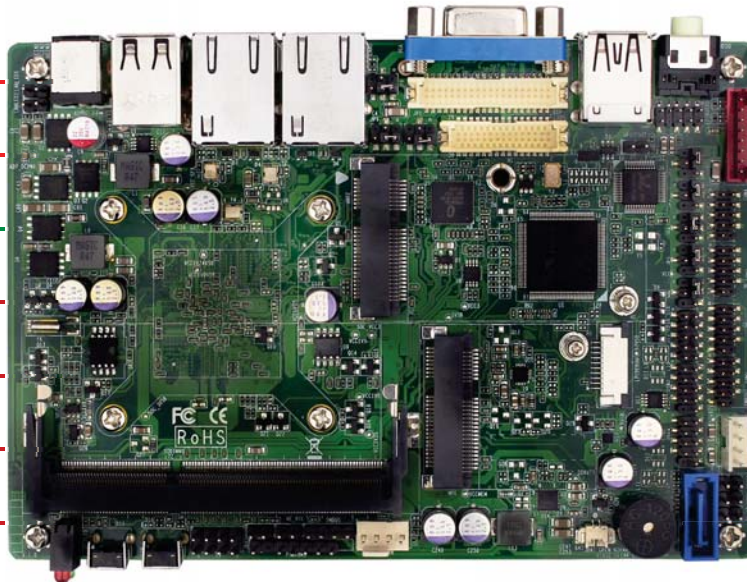
Dimensions: 102 X 148mm

PART NO.	# of Cores	Frequency	DRAM (DDR3L)	Mini PCIe	USB	Display	Giga LAN	GPIO	Storage	COM/ SIM holder	Audio
APL-35-N3350	2	1.1GHz	8GB Max.	1	6	DP, eDP	2	8-bit	M.2, SATA, Micro SD	6/1	Yes
APL-35-N4200	4	1.1GHz	8GB Max.	1	6	DP, eDP	2	8-bit	M.2, SATA, Micro SD	6/1	Yes
APL-35-J3455	4	1.5GHz	8GB Max.	1	6	DP, eDP	2	8-bit	M.2, SATA, Micro SD	6/1	Yes

*Operating Temp.: 0°C ~ +60°C

BYT-35-N2930

- Intel Bay Trail N2930
- DDR3L up to 8GB
- Mini PCIe x2
- USB x8
- VGA
- eDP / LVDS
- Audio



- SATA
- mSATA
- COM x4
- GigaLAN x2
- SMBus x1
- GPIO
- 9V - 24VDC input

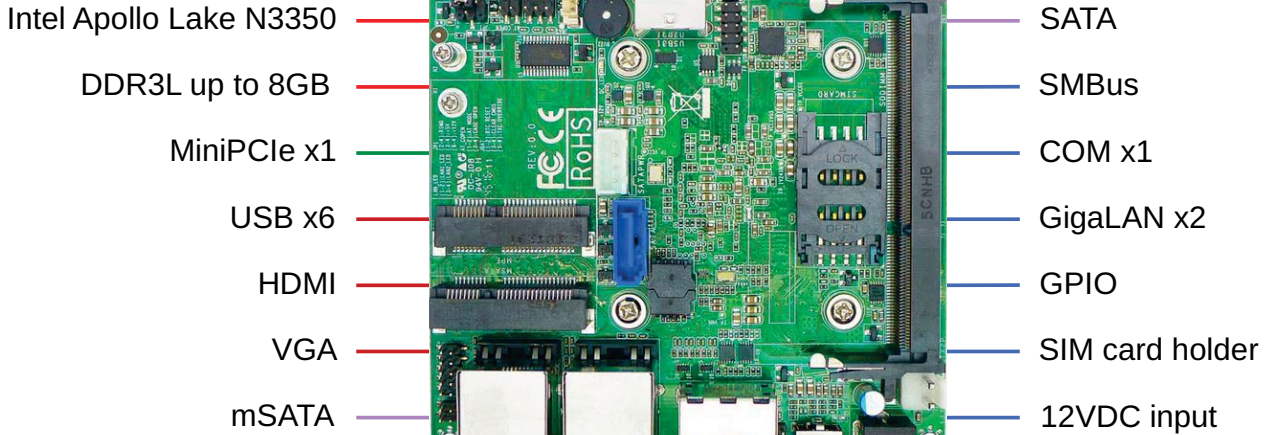
Dimensions: 102 X 148mm

PART NO.	# of Cores	Frequency	DRAM (DDR3L)	Mini PCIe	USB	Display	Giga LAN	SMBus	Storage	COM/ GPIO	Audio
BYT-35-N2930	4	1.83GHz	8GB Max.	2	8	VGA, eDP / LVDS	2	1	SATA, mSATA	4/ 8-bit	Yes
BYT-35-J1900	4	2.0GHz	8GB Max.	2	8	VGA, eDP / LVDS	2	1	SATA mSATA	4/ 8-bit	Yes

*Operating Temp.: 0°C ~ +60°C

NUC SBC (Intel based)

APL-NUC-N3350



Dimensions: 101.6 X 101.6mm

PART NO.	# of Cores	Frequency	DRAM (DDR3L)	Mini PCIe	USB	Display	Giga LAN	GPIO	Storage	COM/ SIM holder	Audio/ SMBus
APL-NUC-N3350	2	1.1GHz	8GB Max.	1	6	HDMI, VGA	2	8-bit	mSATA, SATA	1/1	Yes / 1
APL-NUC-N4200	4	1.1GHz	8GB Max.	1	6	HDMI, VGA	2	8-bit	mSATA, SATA	1/1	Yes / 1
APL-NUC-J3455	4	1.5GHz	8GB Max.	1	6	HDMI, VGA	2	8-bit	mSATA, SATA	1/1	Yes / 1

*Operating Temp.: 0°C ~ +50°C

Mini-ITX (Intel based)

BSW-mITX-N3160



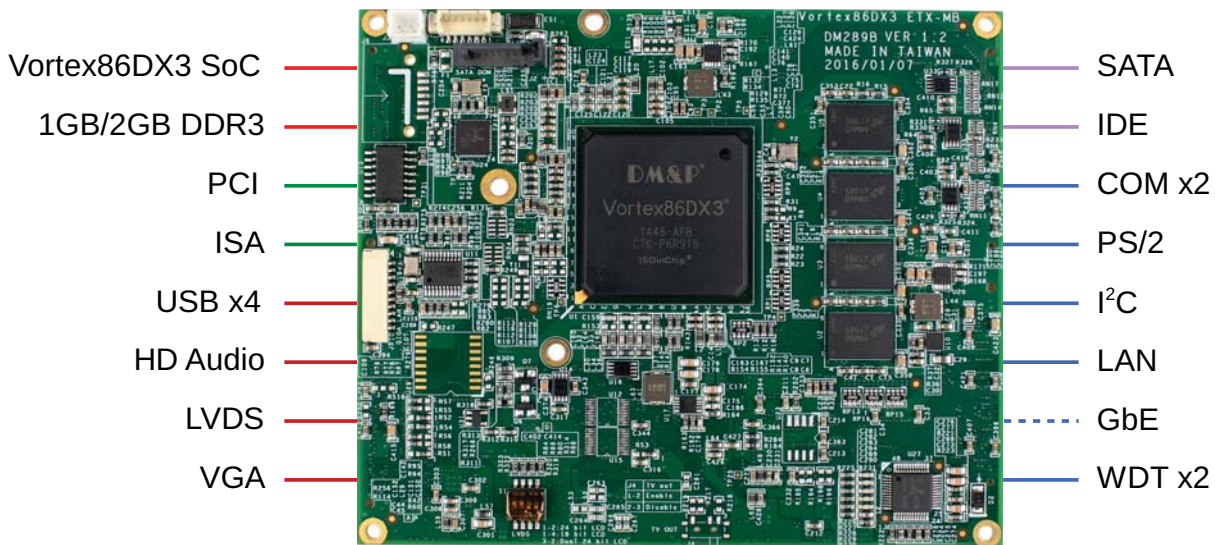
Dimensions: 170 X 170mm

PART NO.	# of Cores	Frequency	DRAM (DDR3L)	Expansion	USB /SIM	Display	Giga LAN	SMBus/ LPT	Storage	COM/ GPIO
BSW-mITX-N3160	4	1.60GHz	8GB Max.	MiniPCIe, PCIe	10/1	HDMI, VGA, LVDS	2	1/1	SATA, M.2 SATA	6/ 8-bit

*Operating Temp.: 0°C ~ +60°C

System on Module

ETX

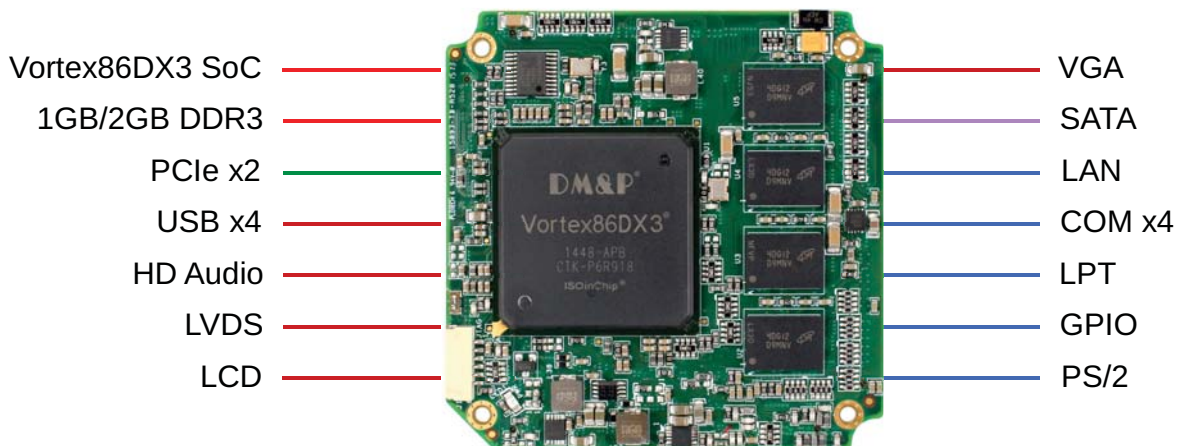


Power requirement: Single Voltage +5V@ 1.2A
 Dimensions: 114 X 95mm

PART NO.	CPU (MHz)	DRAM (DDR3)	VGA/ LVDS	ISA/LAN/ Audio	SATA	P_IDE/ S_IDE	LPT	FDD	PCI	USB	COM	I ² C
VDX3-ETX-53IE	800	512MB	Yes	Yes	V	1/0	N/A	N/A	Yes	4	2	1
VDX3-ETX-74IE	1000	1GB	Yes	Yes	V	1/0	N/A	N/A	Yes	4	2	1
VDX3-ETX-75IE	1000	2GB	Yes	Yes	V	1/0	N/A	N/A	Yes	4	2	1

*Operating Temp.: -20°C ~ +70°C, -40°C ~ +85°C (Optional)

SOM304

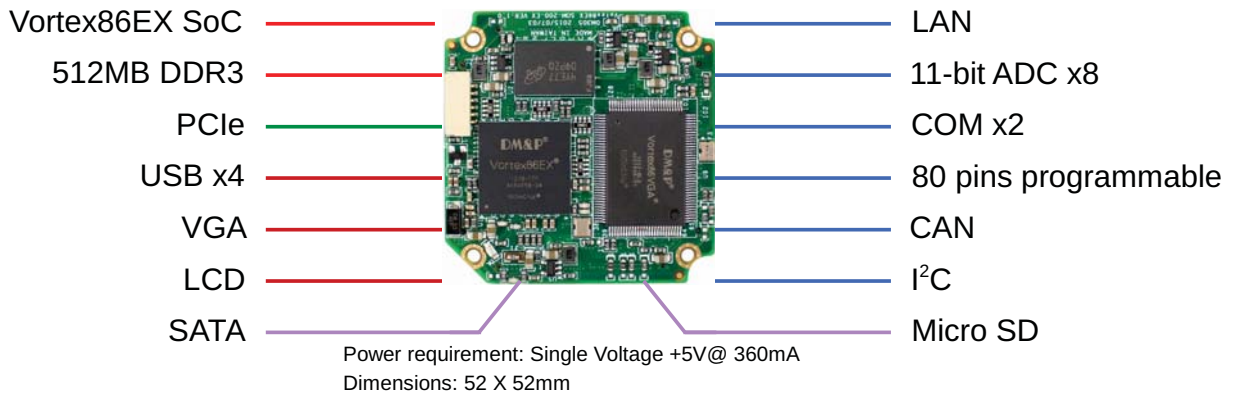


Power requirement: Single Voltage +5V
 Dimensions: 70 X 70mm

PART NO.	CPU (MHz)	DRAM	COM	USB	SATA	IDE	VGA/ LCD	LAN	PCIe	ISA	GPIO
SOM304D375EINE1	1000	2GB	4	4	Yes	N/A	1/1	1	2	1	32-bit
SOM304D254EINE1-HS	800	1GB	4	4	Yes	N/A	1/1	1	2	1	32-bit
SOM304RD52VINE1	800	256MB	5	4	N/A	Yes	1/1	1	N/A	1	32-bit

*Operating Temp.: -20°C ~ +70°C, -40°C ~ +85°C (Optional)

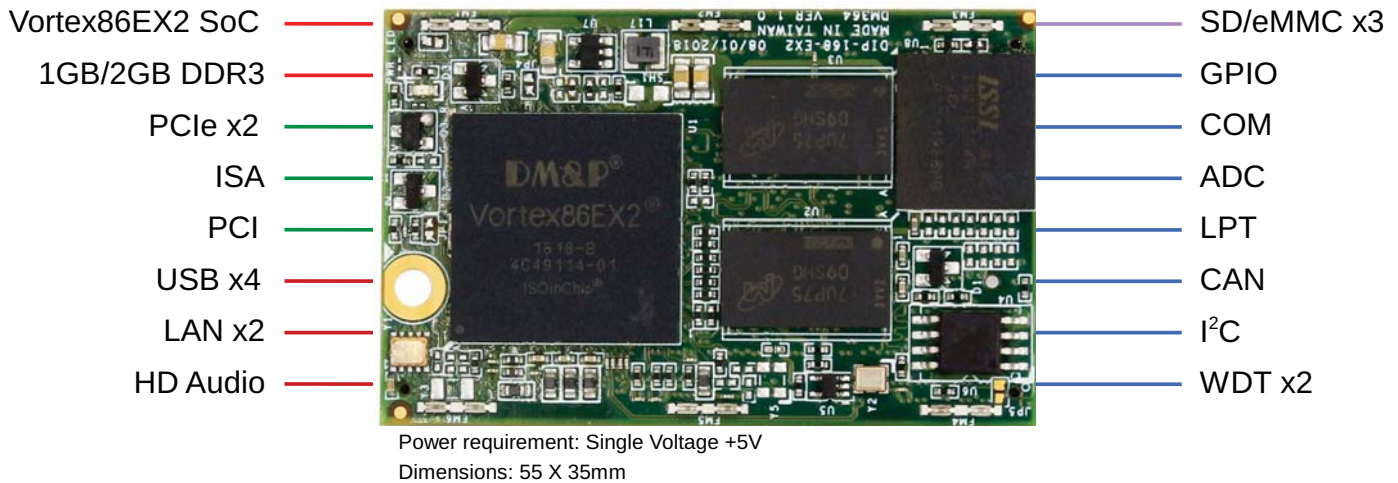
SOM200



PART NO.	CPU (MHz)	DRAM	USB	COM	VGA	PCI	PCIe	IDE	SATA	LAN	I ² C	CAN	11-bit ADC
SOM200EX43VGNE	400	512MB	2	2	1	N/A	N/A	N/A	1	1	1	1	1
SOM200EX43EGNE	400	512MB	2	2	N/A	N/A	1	N/A	1	1	1	1	1
SOM200RD52PCNE1	800	256MB	5	4	N/A	Yes	N/A	Yes	N/A	1	1	1	N/A

*Operating Temp.: -20°C ~ +70°C, -40°C ~ +85°C (Optional)

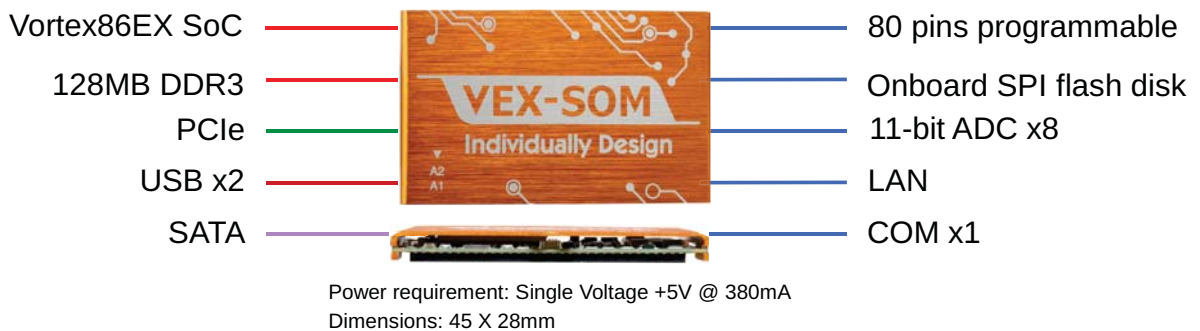
VEX2-DIP-168



PART NO.	CPU (MHz)	DRAM (DDR3)	Expansion	USB / LAN	COM	GPIO	Audio	ADC	Storage	LPT	CAN / I ² C
VEX2-DIP-168	600	1GB/2GB (ECC Support)	PCIe x2 ISA PCI	4/2	10 (max.)	128 bit (max.)	Yes	Yes	SD/eMMC x3	1	2/2

*Operating Temp.: -20°C ~ +70°C, -40°C ~ +85°C (Optional)

VEX-SOM



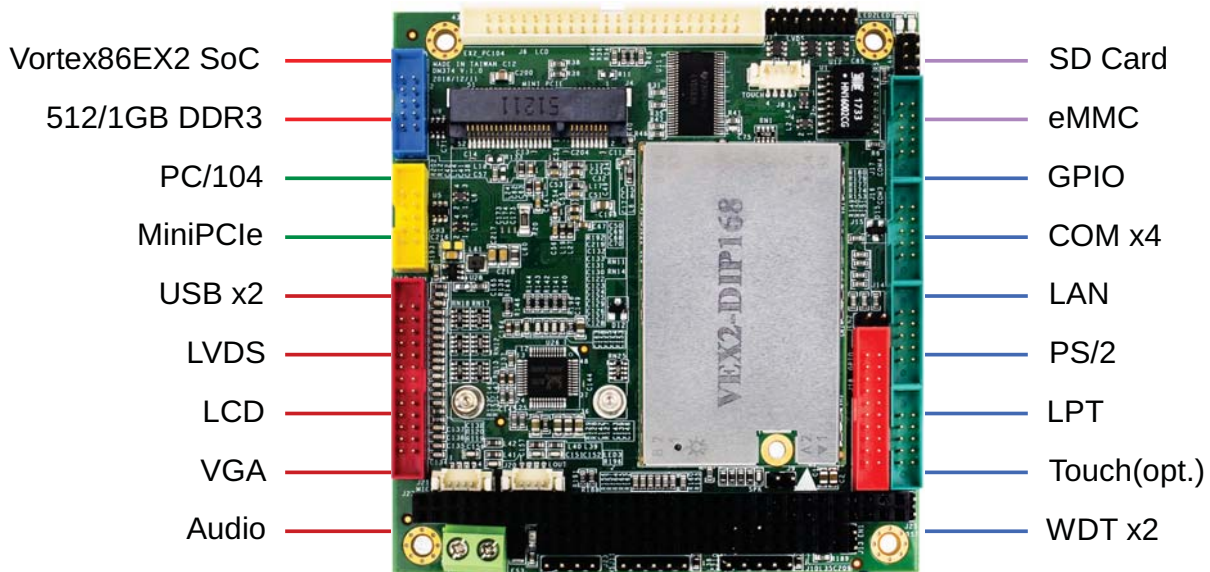
PART NO.	CPU (MHz)	DRAM (DDR3)	COM	USB	SATA	PCIe	Onboard SPI Flash disk	LAN	11-bit ADC	I/O pins programmable
VEX-SOM	400	128MB	1	2	Yes	1	7.5MB	1	8	80

*Operating Temp.: -20°C ~ +70°C, -40°C ~ +85°C (Optional)

**Carrier board for ICOP proprietary SOM is available for preliminary assessment.

PC/104 SBC

VEX2-6454



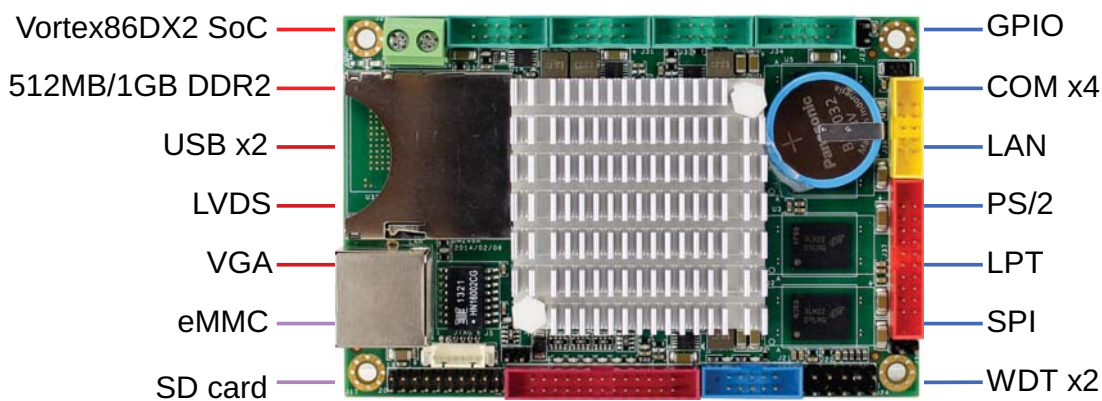
Power requirement: Single Voltage +5V@ 600mA
Dimensions: 90 X 96mm

PART NO.	CPU (MHz)	DRAM	BUS	COM/USB	Display	LAN/LPT	GPIO	Storage	CAN	I ² C
VDX3-6755	1000	1GB/2GB	PC/104	3/2	VGA, LVDS	2/0	N/A	SATA	Opt.	N/A
VDX3-6754	1000	1GB/2GB	PC/104	4/2	VGA, LVDS, TTL	1/1	16-bit	SATA	N/A	N/A
NAD11-103-SD	500	256MB	PC/104	4/4	VGA, LVDS, TTL	1/0	16-bit	SD	N/A	1

*Operating Temp.: -20°C ~ +70°C, -40°C ~ +85°C (Optional)

Tiny SBC

VDX2-6518



Power requirement: Single Voltage +5V@ 720mA
Dimensions: 100 X 66mm

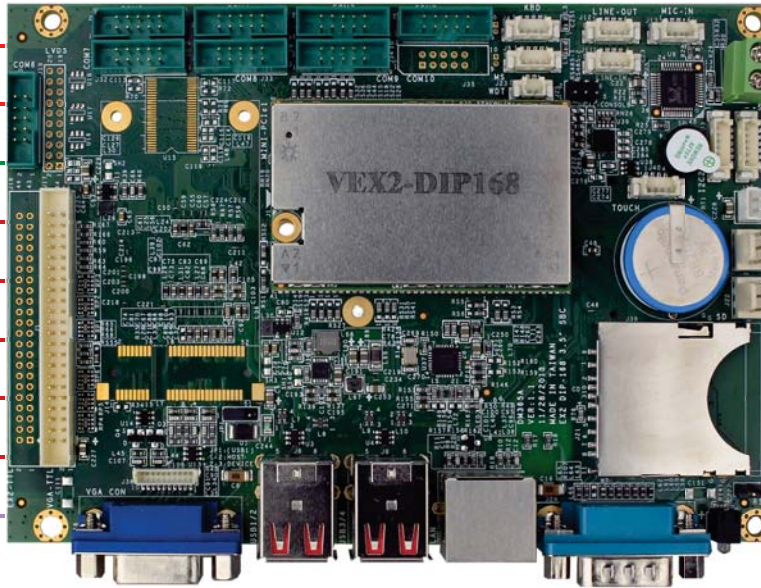
PART NO.	CPU (MHz)	DRAM (DDR2)	BUS	COM	USB	VGA	TTL	LVDS	LAN/LPT	GPIO	Audio	IDE
VDX-6318RD	800	256/512MB	N/A	4	4	Yes	Yes	N/A	1/0	32	Yes	Yes
VDX-6316RD	800	256/512MB	x-ISA	2	2	N/A	N/A	N/A	0/1	32	N/A	Yes
VDX-6315RD	800	256/512MB	x-ISA	4	2	N/A	N/A	N/A	1/1	32	N/A	Yes
VDX-6314RD	800	256/512MB	x-ISA	4	2	Yes	N/A	Yes	1/0	16	Yes	Yes

*Operating Temp.: -20°C ~ +70°C, -40°C ~ +85°C (Optional)

3.5" SBC

VEX2-6427

- Vortex86EX2 SoC
- 1GB/2GB DDR3
- MiniPCIe x2(Opt.)
- USB x4
- LVDS
- LCD
- VGA
- Audio
- SD Card



- eMMC
- CAN bus x2
- COM x8
- LAN
- PS/2
- I²C x2
- ADC(Opt.)
- Touch(Opt.)
- WDT x2

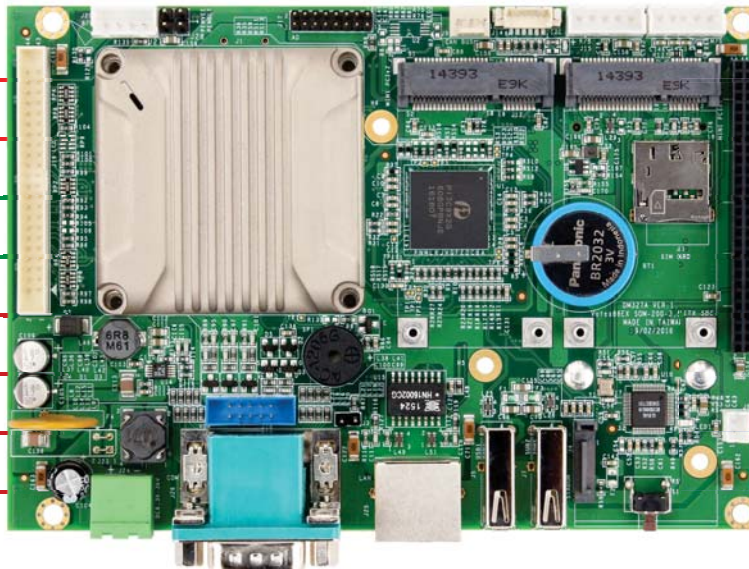
Power requirement: Single Voltage +5V@ 670mA
Dimensions: 102 X 146mm

PART NO.	CPU (MHz)	DRAM	BUS	COM	USB	Display	LAN	GPIO	Storage	LPT	Audio
VDX3-6726	1000	1GB/2GB	PC/104	4	4	VGA, LVDS, TTL	3	16-bit	SATA	1	Yes
VDX2-6526	800	512MB/1GB	PC/104	4	4	VGA, LVDS, TTL	3	16-bit	SATA	1	Yes
VDX-6328RD-NF	800	256/512MB	PCI/104+	4	3	VGA, LVDS, TTL	1	16-bit	IDE, CF	1	Yes

*Operating Temp.: -20°C ~ +70°C, -40°C ~ +85°C (Optional)

VEX-6225

- Vortex86EX SoC
- 512MB DDR3
- Mini PCIe x3
- Expansion I/O Bus
- USB x2
- LVDS
- LCD
- VGA



- SATA
- Micro SD
- COM x2
- LAN
- SIM Card
- 11-bit ADC x8
- CAN
- I²C

Power requirement: +12 – 24VDC Input
Dimensions: 102 X 144mm

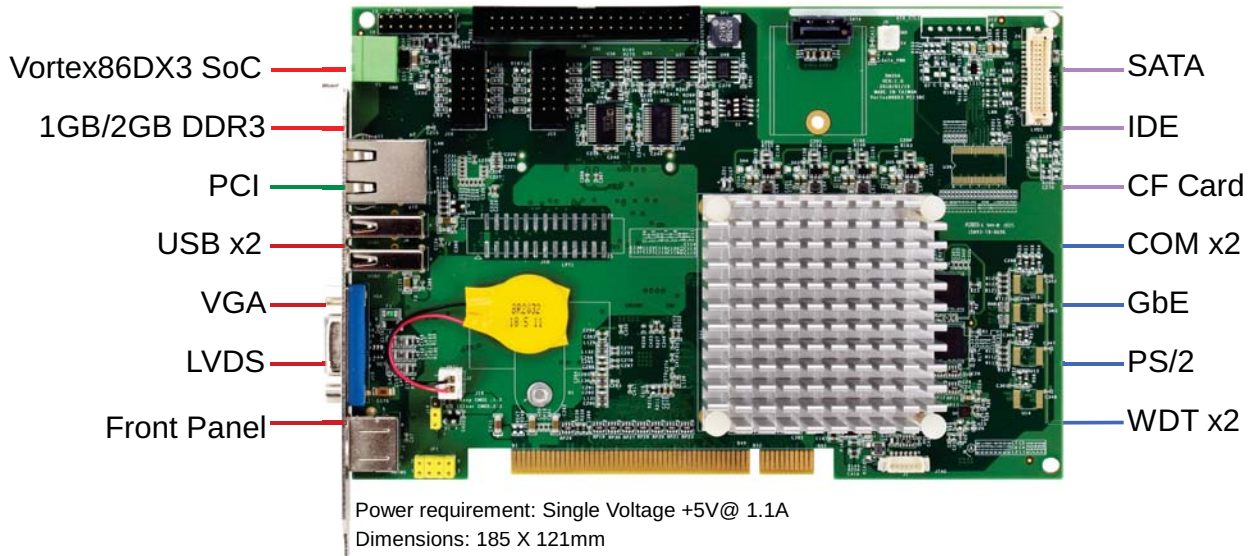
PART NO.	CPU (MHz)	DRAM (DDR3)	Mini PCIe	COM	USB	Display	LAN	SIM Card	Storage	CAN I ² C	11-bit ADC	Expansion I/O
VEX-6225-43VE*	400	512MB	1	2	2	VGA LCD	1	1	SATA Micro SD	1/1	1	1
VEX-6225-43EE	400	512MB	3	2	2	N/A	1	1	SATA Micro SD	1/1	1	1

*Mini PCIe is only available for USB interface device

**Operating Temp.: -20°C ~ +70°C, -40°C ~ +85°C (Optional)

Half-size SBC

PCI - VDX3-PCI

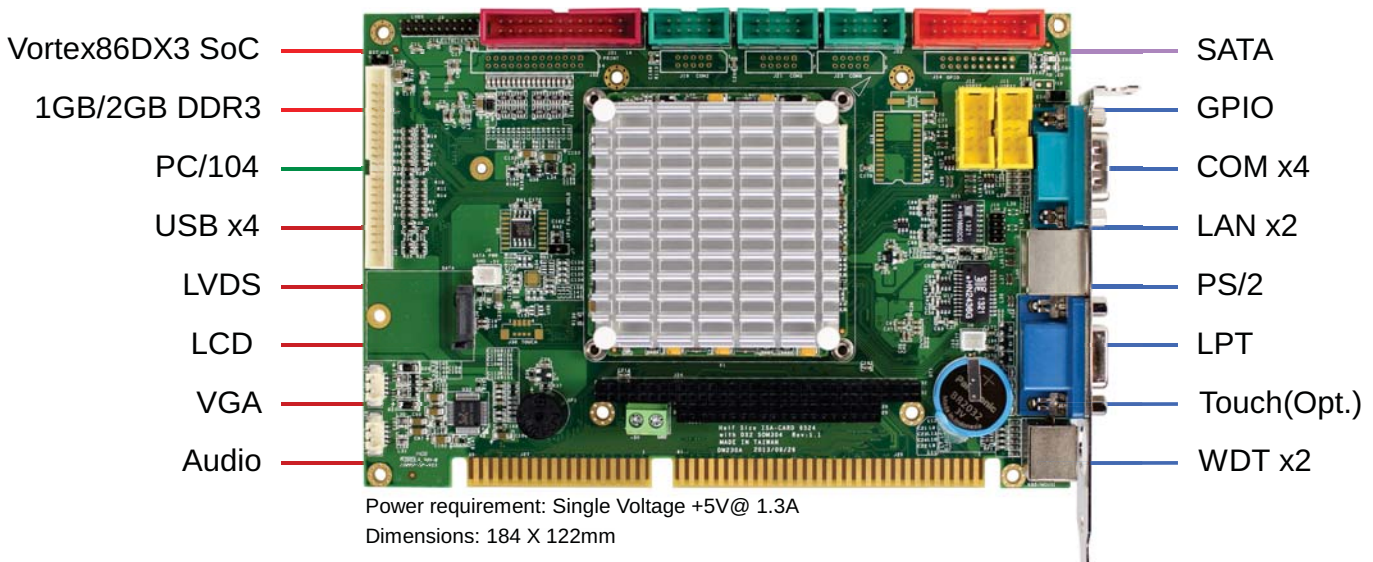


PART NO.	CPU	DRAM (DDR3)	COM	USB	VGA LVDS	Front Panel	GbE	Storage	PS/2
VDX3-PCI-7S4E	1GHz (Single Core)	1GB	2	2	Yes	Yes	1	SATA, IDE, CF Card	Yes
VDX3-PCI-7S5E	1GHz (Single Core)	2GB	2	2	Yes	Yes	1	SATA, IDE, CF Card	Yes
VDX3-PCI-7D4E	1GHz (Dual Core)	1GB	2	2	Yes	Yes	1	SATA, IDE, CF Card	Yes
VDX3-PCI-7D5E	1GHz (Dual Core)	2GB	2	2	Yes	Yes	1	SATA, IDE, CF Card	Yes

*Operating Temp. (Single Core): -20°C ~ +70°C, -40°C ~ +85°C (Optional)

*Operating Temp. (Dual Core): -10°C ~ +60°C, -20°C ~ +70°C (Optional)

ISA - VDX3-6724

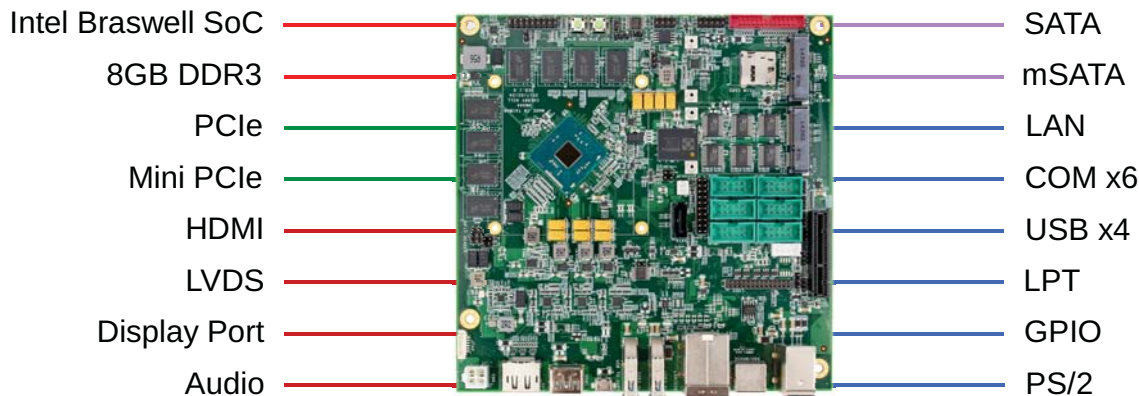


PART NO.	CPU (MHz)	DRAM	BUS	COM	USB	Display	LAN	GPIO	Storage	LPT	Audio
VDX3-6724-CF	1000	1GB/2GB	PC/104	4	4	VGA, LVDS, TTL	2	16-bit	SATA, CF	N/A	Yes
VDX2-6524	800	512MB/1GB	PC/104	4	4	VGA, LVDS, TTL	2	16-bit	SATA	1	Yes
VDX2-6524-CF	800	512MB/1GB	PC/104	4	4	VGA, LVDS, TTL	2	16-bit	SATA, CF	N/A	Yes
VDX-6324RD	800	256/512MB	PC/104	4	4	VGA, TTL	1	16-bit	IDE, CF	1	Opt.

*Operating Temp.: -20°C ~ +70°C, -40°C ~ +85°C (Optional)

ITX Board

Mini-ITX



Power requirement: Single Voltage +5V
170 X 170mm

PART NO.	CPU (GHz)	Number of Cores	DRAM (DDR3)	Bus	Display	Storage	Audio	LAN	COM	USB	I ² C	LPT/ GPIO
Intel-miniITX	1.04	4	8GB	PCIe Mini PCIe	HDMI LVDS Display Port	SATA mSATA	Yes	1	6	4	2	Yes

*Operating Temp.: 0°C ~ +60°C

VDX3-EITX



Power requirement: +9V ~ +36V
Dimensions: 170 X 120mm

PART NO.	CPU (MHz)	DRAM (DDR3)	Storage	Display	LAN	USB	COM	DIO	CAN (Opt.)	Audio	Load dump test
VDX3-EITX	1000	1GB/2GB	SATA Compact Flash	VGA LVDS	2	6	4	1	1	MIC-In Line-Out	ISO7637-2 ISO16750-2

*Operating Temp.: -20°C ~ +70°C, -40°C ~ +85°C (Optional)

VDX3-PITX



Power requirement: Single Voltage +5V @ 1.5A
Dimensions: 100 X 72mm

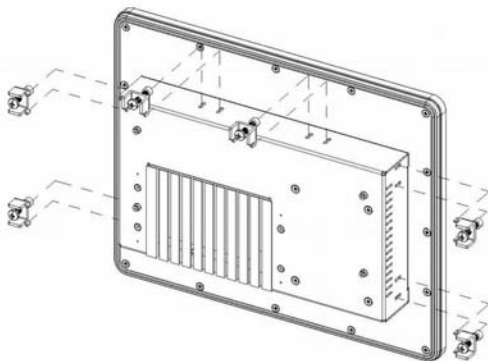
PART NO.	CPU (MHz)	DRAM (DDR3)	Storage	Display	LAN	USB	GPIO	11-bit ADC	WDT
VDX3-PITX-7S5E1	1000	2GB	Micro SD SATA(Optional)	VGA	1	4	8-bit (Up to 16-bit)	8	2

*Operating Temp.: -20°C ~ +70°C

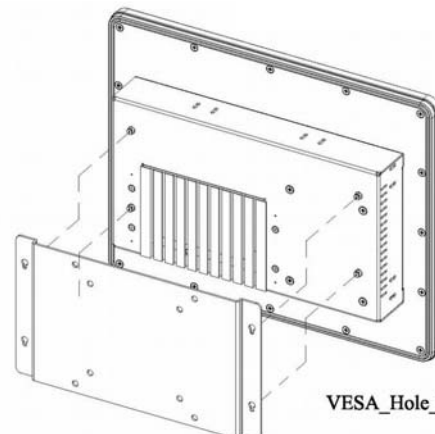


PPC Series(Intel based)

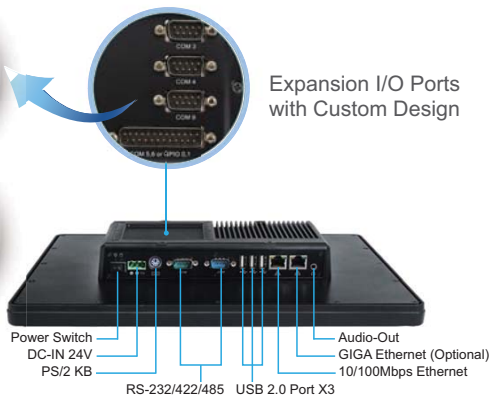
Model Name		PPC-104T-N4200	PPC-150T-N4200	PPC-150P-N4200
LCD Display	Size	10.4" SVGA	15" XGA	
	Resolution	800 x 600	1024 x 768	
	Brightness	500 cd/m2	250 cd/m2	
	Backlight Life	50,000 hrs	30,000 hrs	
	Touch Screen Type	Analog Resistive		Projected Capacitive
CPU		Intel® Apollo Lake N4200 SoC Processor (Quad Core-2.5GHz)		
System Memory		4GB / 8GB DDR3L Memory		
BIOS		AMI BIOS		
Graphics		Intel® HD Graphics HDMI 1.4 (As Dual Display)		
Serial Ports		RS232/422/485 x 1 (COM1) RS232 x 1 (COM2)		
Audio		HD Audio Realtek ALC662VD		
USB Ports		USB Port (Ver. 2.0) x 1 USB Port (Ver. 3.0) x 2		
Ethernet		Integrated 10/100/1000Mbps Ethernet		
Disk Support		2.5" SATA HDD/SSD Support (SATA III 6.0Gb/s) M.2 Slot Support (M-key, SATA interface, 2242)		
Expansion I/O Port		MiniPCIe Slot x 1		
Power Requirement		AC-DC Adapter / DC12V@3.33A (AC 90~240V Input)		
Operating Temperature		0°C ~ +50°C		
Storage Temperature		-20°C ~ +70°C		
Dimensions (W x H x D) mm		273.44 x 219.84 x 36	354.85 x 280.85 x 42	354.85 x 280.85 x 41.9
Operating System Support		Windows 10 (64-bit) , Linux		
Certificate (Coming soon)		CE, FCC, VCCI, Shock, Vibration, IP65 (Front Panel)		



Mounting_Bracket-Type



VESA_Hole Mounting-Type



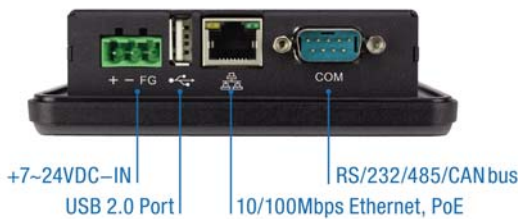
PPC Series

Model Name		PEX-057T	PEX-090T	PPC-090T	PPC-104T	PPC-150T
		PDX2-057T	PDX2-090T			PPC-150P
		PDX3-057T	PDX3-090T			
LCD Display	Size	5.7" VGA (640 x 480)	9" WSVGA (1024 x 600)	9" WSVGA (1024 x 600)	10.4" SVGA (800 x 600)	15" XGA (1024 x 768)
	Brightness	500 cd/m2	300 cd/m2	300 cd/m2	500 cd/m2	250 cd/m2
	Touch Screen Type	Analog Resistive				
CPU		Vortex86EX 400MHz Vortex86DX2 933MHz Vortex86DX3 1GHz		Vortex86DX2 933MHz Vortex86DX3 1GHz		
System Memory		1GB / 2GB Onboard		512MB / 1GB / 2GB Onboard		
Serial Port		RS-232/422/485 x 1		RS-232/422/485 x 2		
USB Port		USB Ports (Ver. 2.0) x 2		USB Ports (Ver. 2.0) x 3		
Ethernet		Integrated 10/100Mbps Ethernet		Integrated 10/100Mbps Ethernet / Giga Ethernet		
Internal Drive		Micro SD Slot (EX), optional for DX2 & DX3; Compact Flash Type I/II Slot (DX2 & DX3); 1GB/2GB Flash Onboard(optional for DX2 & DX3)		Compact Flash Type I/II Slot, SATA Slim, SD Slot (optional)		
Expansion I/O Port Support (optional)		No		PoE / COM x 5 / COM x 3 +16bit GPIO		
Power Requirement		+5VDC / +8VDC~+35VDC		+12VDC ~ +24VDC		
Power Consumption		20 W (Max.)		24 W (Max.)		
Operating Temperature		0~+50°C / -20°C~+60°C				
Storage Temperature		-30~+70°C				
Audio		HD Audio, Line-out x 1				
Dimensions (W x H x D) mm		152 x 112 x 33	236.6 x 146 x 35	242 x 156.5 x 44	273.4 x 219.8 x 49	354.8 x 280.3 x 55
Operating System		Linux, Win CE, Win XP, Win 7, Windows Embedded Standard				
Certificate		CE, FCC, VCCI, Vibration	CE, FCC, VCCI, Shock, Vibration, IP65 (Front Panel)			

PRTD-090T Series

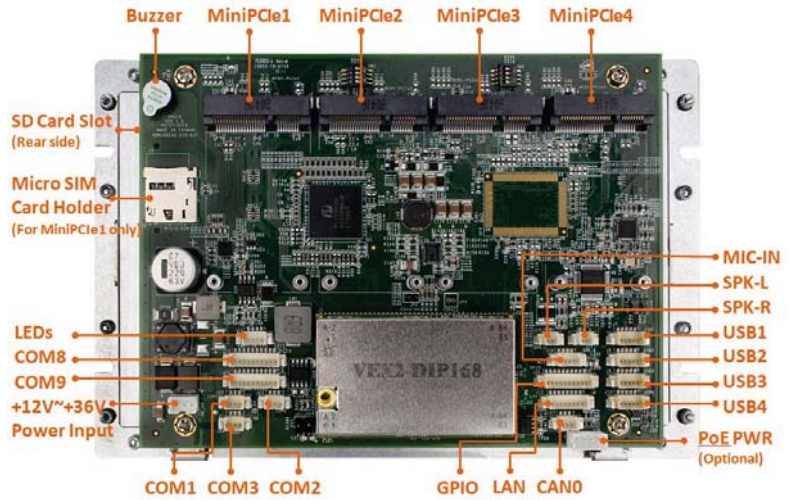


Hardware Specifications:				
LCD Display	Size	9" WSVGA (1024 x 600)	Audio	Line-out x 1
	Brightness	300 cd/m2	Power Requirement	+5VDC / +8VDC~+35VDC
	Touch Screen Type	Analog Resistive	Power Consumption	10 W (Max.)
CPU		RTD1195-1.2GHz Cortex-A7 Dual core	Operating Temperature	0°C ~ +60°C / -20°C ~ +70°C
System Memory		1GB / 2GB Onboard	Storage Temperature	-30°C ~ +70°C
Serial Port		RS-232 x 1	Dimensions (W x H x D) mm	236.6 x 146 x 35
USB Port		USB Port (Ver. 2.0) x 1, (Ver. 3.0) x 1	Operating System	Android 4.4.4
Ethernet		Giga Ethernet	Certificate	CE, FCC, VCCI, Shock, Vibration, IP65 (Front Panel)
Internal Drive		Micro SD slot, 8GB Flash Memory onboard (Android Pre-installed)		



HMI-043T Series

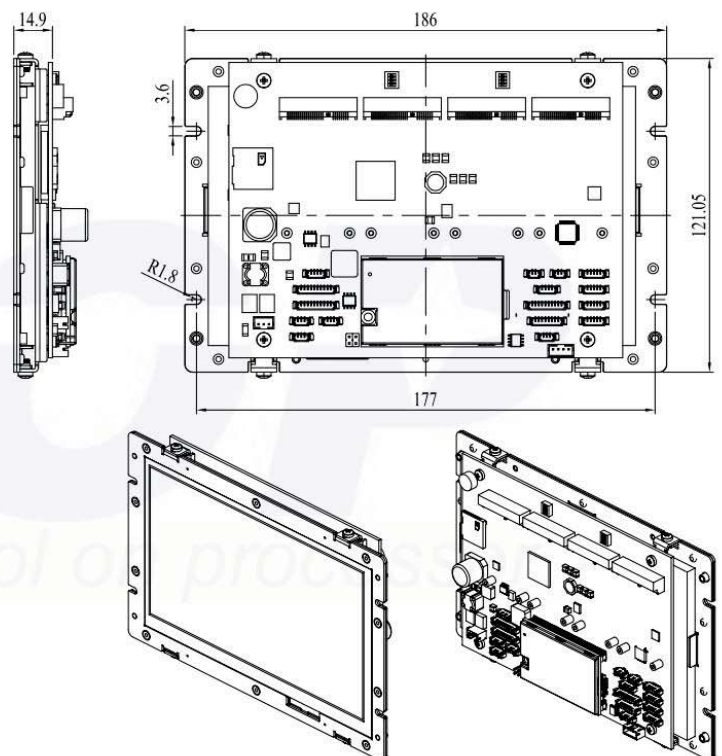
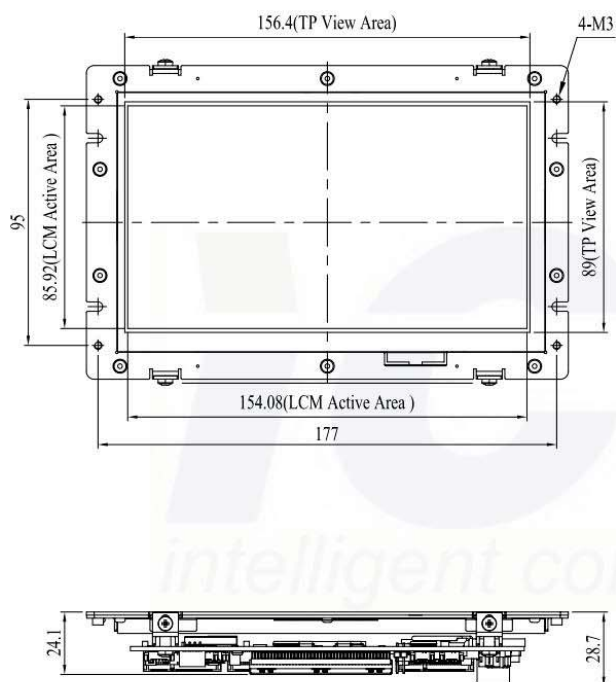
Hardware Specifications:				
LCD Display	Size	4.3" WQVGA (480 x 272)	HF RFID	Support (Optional)
	Brightness	280 cd/m2	Power Requirement	+7VDC ~ 24VDC
	Touch Screen Type	Analog Resistive	Power Consumption	12 W (Max.)
CPU		Vortex86EXm 400MHz	Operating Temperature	0°C ~ +50°C / -20°C ~ +60°C
System Memory		128MB / 256MB Onboard	Storage Temperature	-30°C ~ +70°C
Serial Port		RS-232/485/CANbus x 1 (Optional)	Dimensions (W x H x D) mm	116.4 x 94.4 x 34.3
USB Port		USB Port (Ver. 2.0) x 1	Operating System	Linux, Win CE, DOS
Ethernet		Intergrated10/100Mbps Ethernet, Support PoE/PD (Optional)	Certificate	CE, FCC, VCCI, Shock, Vibration, IP65 (Front Panel)
Internal Drive		SD Slot / 512MB or 8GB eMMC (Optional)		



VOX-070-TS-EX2

Hardware Specification:

LCD Display	Size	7" WVGA (800 x 480)	Ethernet	Integrated 10/100Mbps Ethernet
	Brightness	400 cd/m ²	Disk Support	SD Card / 4GB eMMC (Opt.)
	Backlight life	20,000 hrs	Digital I/O	8-bit GPIO x1
	Contrast Ratio	800:1	Power Requirement	+12 ~ +36VDC
	Touch Screen Type	Analog Resistive	Power Consumption	7Watt (Typical)
CPU	Vortex86EX2 600MHz (Opt. Slave CPU 400MHz)		Operating Temperature	0°C ~ +50°C -20°C ~ +60°C (Opt.) -30°C ~ +80°C (Opt.)
System Memory	1GB / 2GB DDR3 Onboard		Audio	MIC-in x1, SPK-L, SPK-R Connector x1
Expansion	MiniPCle x4		Dimension (W x H x D) mm	186 x 121.05 x 28.7
Serial Port	RS232 x5 (1x RS232 / 485)		Operating System	WES2009, Win CE, Linux, DOS
CAN bus (2.0A / 2.0B)	1			
USB Port	USB2.0 x4			





HMI-043T Open Frame

Hardware Specifications:				
LCD Display	Size	4.3" WQVGA (480 x 272)	Internal Drive	512MB / 8GB eMMC (Optional)
	Brightness	280 cd/m2	Digital I/O	8-bit GPIO x 1
	Backlight life	20,000 hrs	Power Requirement	+5VDC
	Contrast Ratio	450:1	Power Consumption	10 W (Max.)
	Touch Screen Type	Analog Resistive	Operating Temperature	-20°C ~ +60°C
CPU	Vortex86EXm 400MHz	Storage Temperature	-30°C ~ +70°C	
System Memory	128MB / 256MB Onboard	Audio	HD Audio, Min-in x 1/ SPK-L, SPK-R Connector x 1	
Serial Port	RS-232/485/CANbus x 1 (Optional)			
USB Port	USB Ports (Ver. 2.0) x 2	Dimensions (W x H x D) mm	105.5 x 67.2 x 13.6	
Ethernet	Integrated 10/100Mbps Ethernet	Operating System	Linux, Win CE, DOS	

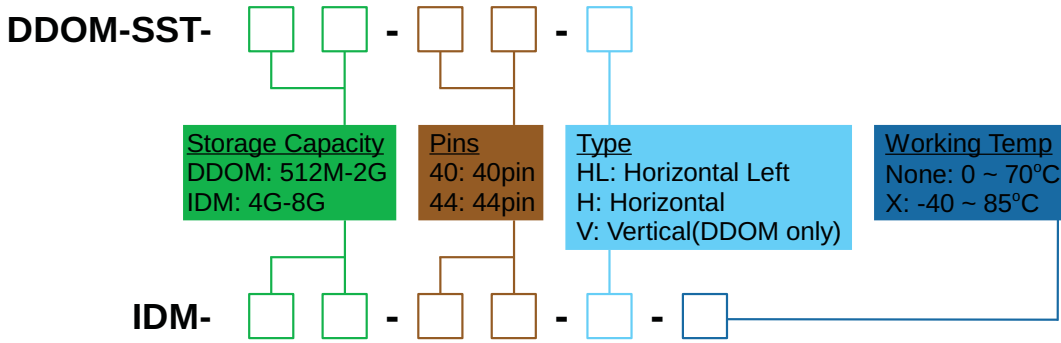
Open Frame Series



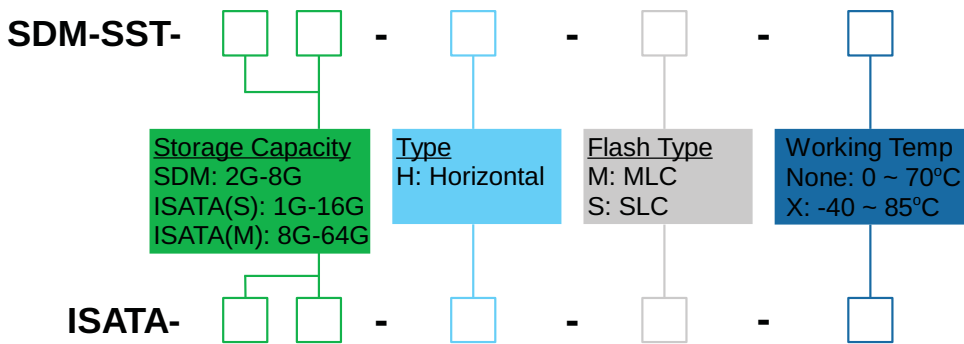
Hardware Specifications:					
Model Name	VOX-065-TS	VOX-084-TS	VOX-104-TS	VOX-150-TS	
LCD Display	Size	6.5" VGA (640 x 480)	8.4" SVGA (800 x 600)	10.4" SVGA (800 x 600)	15" XGA (1024 x 768)
	Brightness	800 cd/m2	250 cd/m2	400 cd/m2	350 cd/m2
	Backlight life	50,000 hrs	30,000 hrs	50,000 hrs	50,000 hrs
	Contrast Ratio	600:1	600:1	700:1	700:1
	Touch Screen Type	Analog Resistive			
Default SBC	VDX2-6526-512MB (933MHz) / VDX3-6726-1G (1GHz) Please contact the region sales base on different I/O combination				
Power Requirement	5VDC / 12VDC				
Power Consumption	24W (Max.)				
Operating Temperature	0 ~ +50 °C / -20 ~ +60 °C				
Dimensions (W x H x D) mm	190 x 145 x 41.9	230.4 x 150 x 29	303 x 204 x 45.5	368 x 278 x 45.5	
Operating System	DOS, Linux, Win CE, Win XP, Win 7, Windows Embedded Standard				

Storage

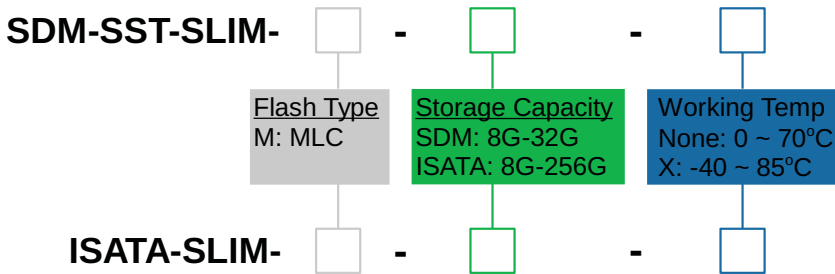
IDE DOM Series



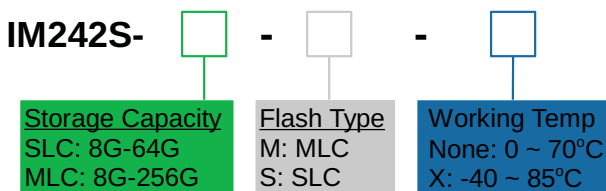
SATA DOM Series



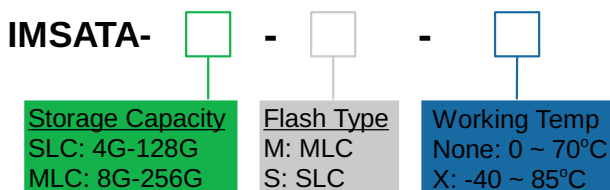
SATA SLIM Series



M.2 SATA Series



mSATA SATA Series



Box PC

iBPC



Power requirement: +12 ~ 24VDC
 Dimensions: 152 X 104 X 54mm

PART NO.	CPU (MHz)	DRAM (DDR3)	Mini PCIe*	Storage	Display	LAN	Audio	USB/COM	GPIO	CAN
iBPC-75GE	1000	2GB	1	SATA 2.5" HDD Rack	VGA LVDS	1	1	4/3	8-bit Isolated + 8-bit Standard	N/A
iBPC-75CE	1000	2GB	1	SATA 2.5" HDD Rack	VGA LVDS	1	1	4/3	8-bit Isolated	1
iBPC-75FE	1000	2GB	1	SATA	VGA LVDS	1	1	4/3	8-bit Isolated + 8-bit Standard	1

*Mini PCIe: USB + RS232 signal for 3G/4G Module
 **Operating Temp.: -20°C ~ +70°C

EB-3362-I



Power requirement: +8 ~ +24VDC
 Dimensions: 115 X 115 X 35mm

PART NO.	CPU (MHz)	DRAM (DDR3)	Mini PCIe	Storage	Display	LAN	USB	COM	GPIO	SIM Card Slot	Auto Power On
EB-3362-L2851C3P-I	1000	2GB	1	SD	VGA	2	4*	4	N/A	N/A	Support
EB-3362-C2G2SIM-I	1000	2GB	1	SATA SD	VGA	1	3	2	8-bit X2	1	Support
EB-3362-L2C2851G1E-I	1000	2GB	N/A	SATA	VGA	2	4*	3	8-bit	N/A	Support

*The internal USB interface is designed for wireless dongle only.
 **Operating Temp.: -20°C ~ +70°C

VESA Mounting



DIN Rail support



Box PC

D-3362-I



Power requirement: +8 ~ 24VDC
Dimensions: 152 X 104 X 54mm

PART NO.	CPU (MHz)	DRAM (DDR3)	Storage	Display	LAN	USB	COM	GPIO	Auto Power on	DIN Rail
D-3362-852C2-I	1000	2GB	SATA SD(Internal)	VGA	2	3*	4	N/A	Support	Support
D-3362-851C1G2-I	1000	2GB	SATA SD(Internal)	VGA	2	3*	2	8-bit x2	Support	Support

*Internal USB port is for wireless dongle

**Operating Temp.: -20°C ~ +70°C

ICE-104



PART NO.	CPU (MHz)	DRAM	Display	Storage	LAN	USB	COM	GPIO	IP Rating	Power Requirements	Fanless Design
ICE-6754-DC	1000	1GB/2GB	VGA	SATA	1	2	3	YES	65 67(Optional)	DC AC(Optional)	YES
ICE-6354-DC	800	256/512MB	VGA	IDE	1	2	3	YES	65 67(Optional)	DC AC(Optional)	YES
ICE-6358-DC	800	256/512MB	VGA	IDE	2	2	2	YES	65 67(Optional)	DC AC(Optional)	YES

*Operating Temp.: -60°C ~ +80°C, -100°C ~ +80°C(Optional)

