



ZigBee Modbus and HA Radio repeaters

Radio signal repeaters for extending the range of the ZigBee network



Main technical specifications

- Routing functionality
- External antenna

Available protocols

- Modbus
- Home Automation

Applications

- Home & building automation systems
- Energy monitoring and management

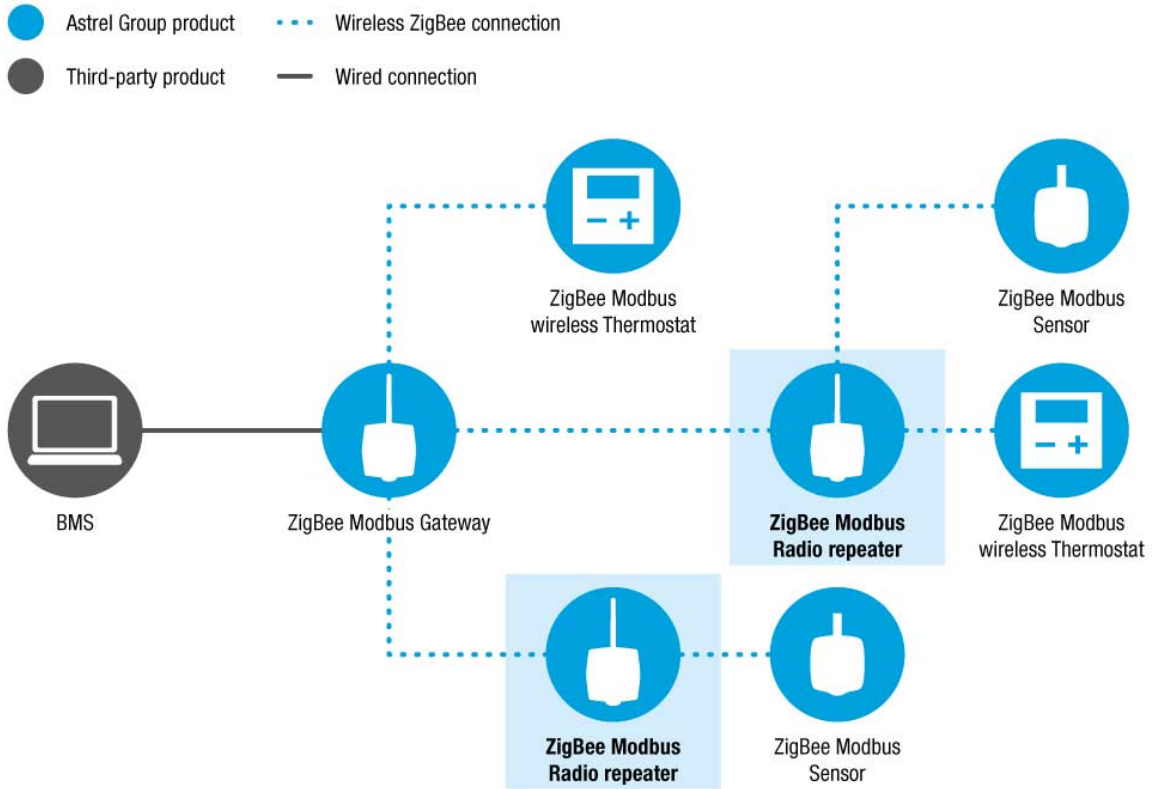
Description

ZigBee radio repeater for extending the range of wireless devices in the event of weak signals caused by obstacles or long distances.

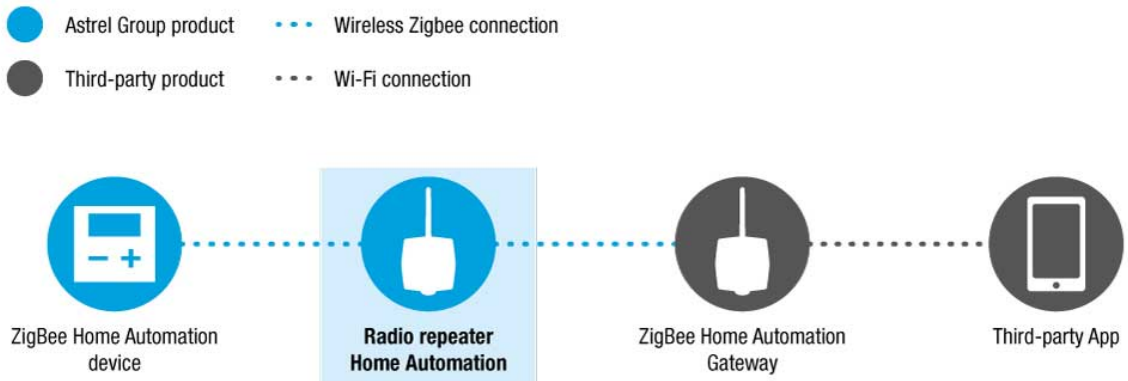
Thanks to continuous power, the device can also function as a parent for battery powered sensors.

The device requires no connections other than the power connection.

Modbus version connection diagram





Home Automation version connection diagram



Models available

Image	Code	Description
-------	------	-------------

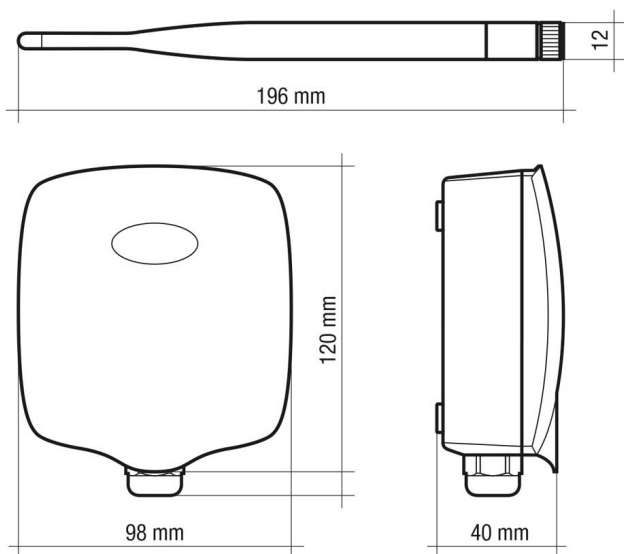
Image	Code	Description
	ZR-REP-E230M	ZigBee Modbus Radio Repeater
	ZR-REP-E230HA	ZigBee Home Automation Radio Repeater

Technical specifications

General specifications	Chip Ember EM3587 Compatible IEEE 802.15.4 Stack EmberZnet 5.3.1 (ZigBee PRO) Modbus / RTU Home Automation 1.2
Radio specifications	2405 MHz ÷ 2480 MHz DSSS Modulation Nominal transmission power: +10 dBm Receiver sensitivity: -92 dBm
Antenna	External antenna with 5 dB gain Radio range: 100 m outdoor; 30 m indoor
Antenna connector	RP-SMA connector
Power supply	90 to 250 Vac; 50 to 60 Hz
Status display	3 x indicator LEDs
Connections	Italian standard plug with 2 m cable
Mounting	Wall-fixing with screws
Ambient parameters	Operating conditions: -10 to +60 °C; <80% R.H. n. c. Storage conditions: -20 to +70 °C; <80% R.H. n. c.
Degree of protection	IP51

Insulation	Class II
Conformity	ETSI EN 300 328; ETSI EN 301 489-1; ETSI EN 301 489-17; EN 61000-6-2; EN 61000-6-3; EN 60950-1; EN 62479 Directives 2014/53/EU (RED) 2011/65/EU (RoHS) 2012/19/EU (WEEE) 1999/519/EC
Dimensions (L x H x D)	123 x 100 x 42 mm (without antenna)
Weight	260 g

Mechanical drawings



Copyright 2019 Astrel Group s.r.l. - All Rights Reserved
Astrel Group s.r.l. - Via Isonzo, 21/E - 34070 Mossa (GO) - Italy