

Professional omni directional antenna for 2.4GHz WiFi wireless LAN (2400-2500MHz).

Weatherproof antenna for outdoor use, but also very well suitable for indoor use, e.g. staircases etc.

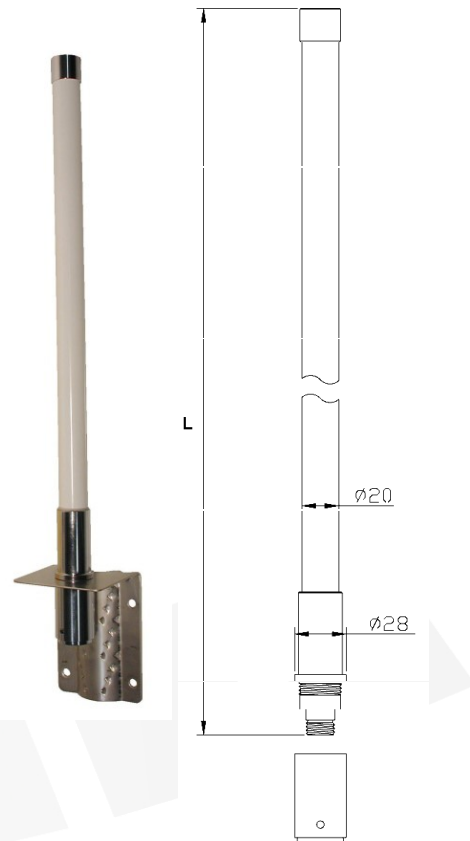
All mounting hardware (stainless steel) for wall or mast mounting (30 - 50mm diameter) is included.

The white color antenna has a N-female connector.

NB: the N jack is recessed, so a typical lightning arrestor cannot be attached directly to the base of the antenna. Either use a short N extension or place the lightning arrestor at the other end of the cable.

## Specifications

Type of antenna	Stacked dipole array
Frequency range	2.4 - 2.5 GHz
Impedance	50 Ohm
Polarization	Vertical
Power rate	20 Watt
Gain/Vertical beam width	6 dBi / 22°
	8 dBi / 15°
	12 dBi / 8°
Housing	Glassfiber
Mounting	Stainless steel
Diameter	20.0 mm
Weight	500 / 600 / 740 g
Mast mounting	30 - 50 mm
Total length (L)	400 / 640 / 960 mm
Temperature range	-30°C to +60°C

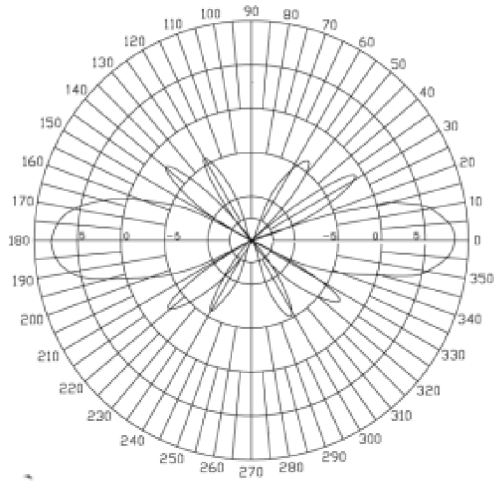


## Order code

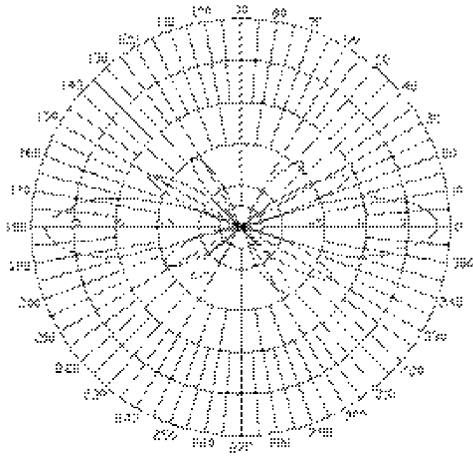
2309BESD2400-6	6 dBi version
2309BESD2400-8	8 dBi version
2309BESD2400-12	12 dBi version
2309BESD2400-18591	Option: Short nut



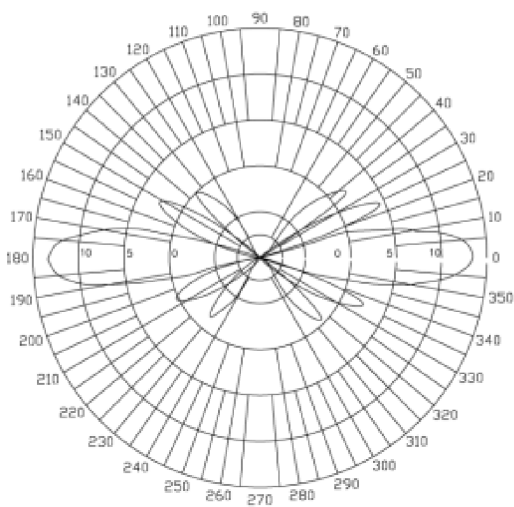
Standard 2309BESD2400-18591



2309BESD2400-6



2309BESD2400-8



2309BESD2400-12