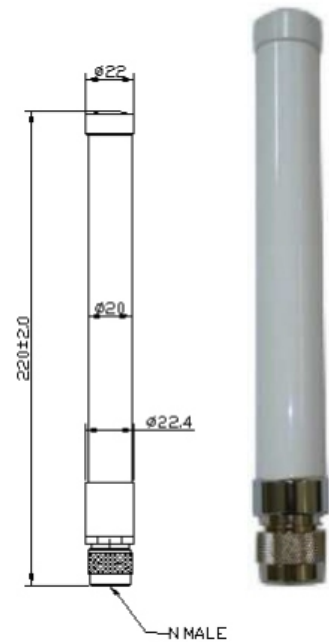


Robust dualband omni directional antenna with N male connector, for Wifi on 2.4GHz (802.11b/g) and 5GHz (802.11a) frequency band. Gain 5 dBi (2.4GHz) and 6-8dBi (5GHz). Very well suited for use on forklift truck, outdoor vehicles and other mobile devices, indoors and outdoors.

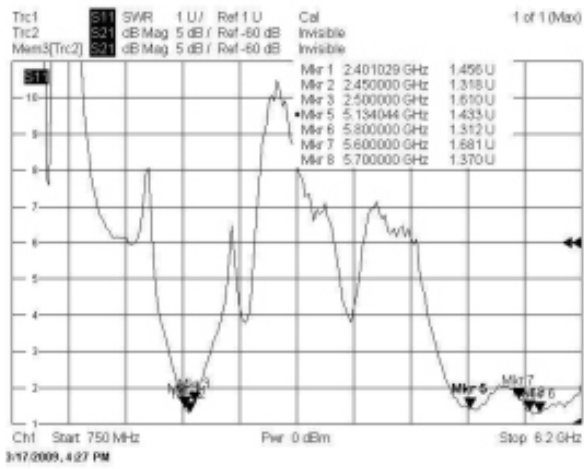
Solid construction, with a large N connector (male) suitable for rugged installation for example on magnet base, N base chassis mount or on a N passthrough connector.

For more details, take a look at the antenna accessories data sheet.

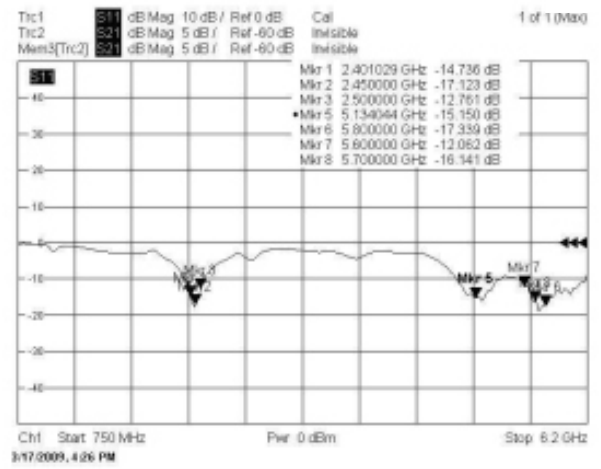
Specifications	
Type of antenna	Omni antenna
Frequency range	2,4 - 2,5 GHz / 4,9 - 5,9 GHz
Impedance	50 Ohm
Polarization	Vertical
Power rating	5 Watt
Gain	5 / 6-8 dBi
Housing	Glassfiber
Mounting	N male
Diameter	22,4 mm
Weight	90 g
Total length (L)	22 cm
Order code	<b>2309BESD2455-18610-D</b>



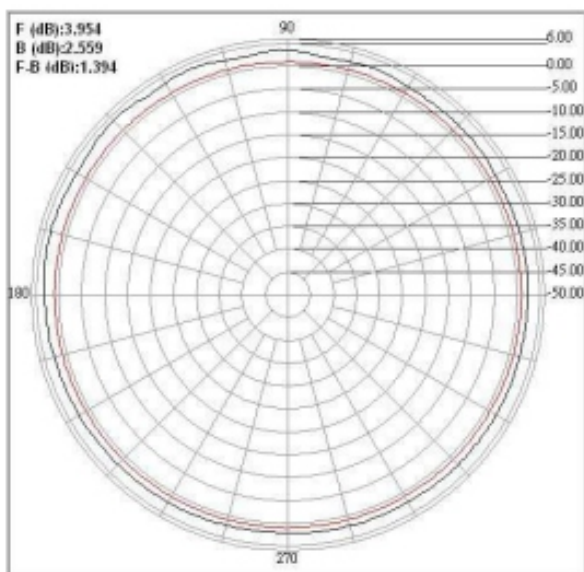
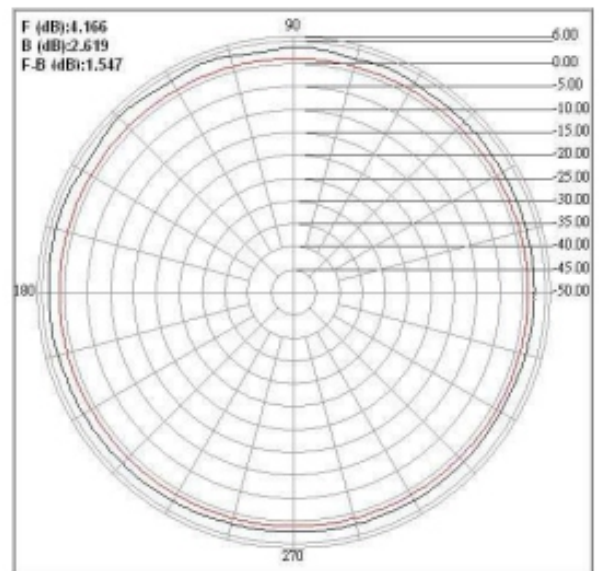
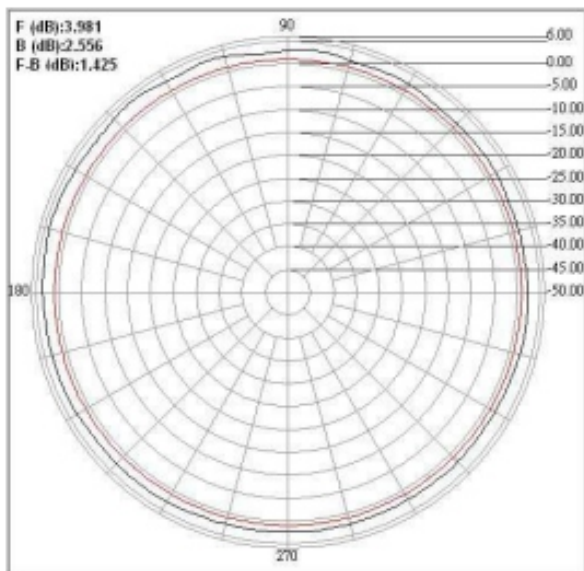
## SWR



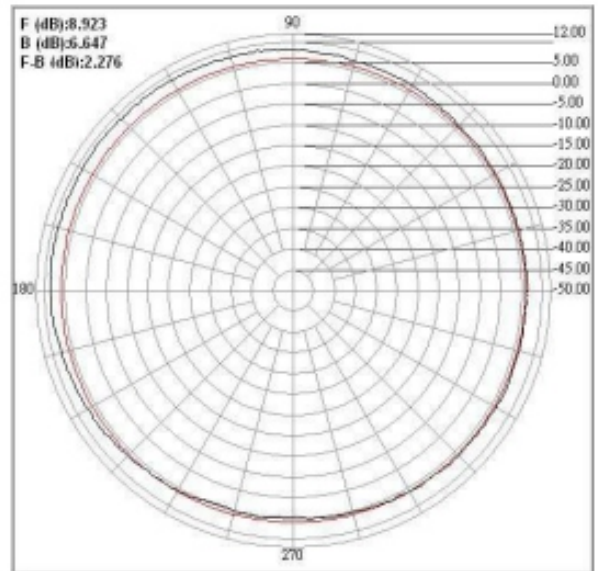
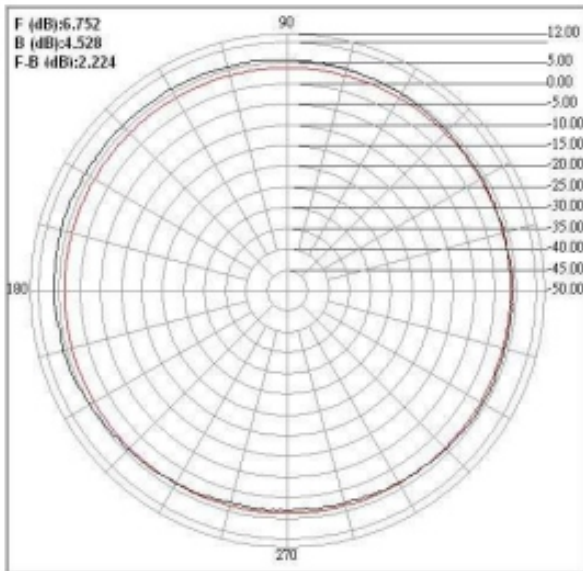
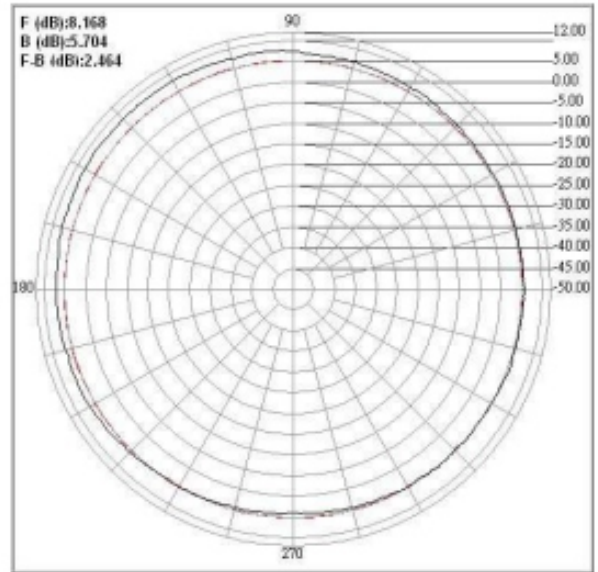
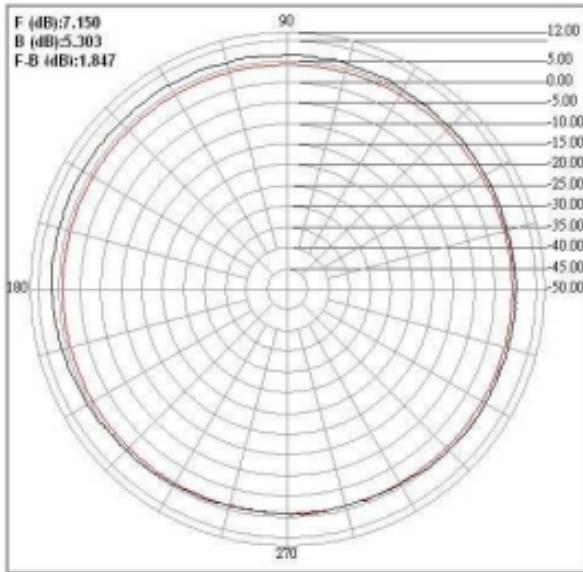
## Return Loss



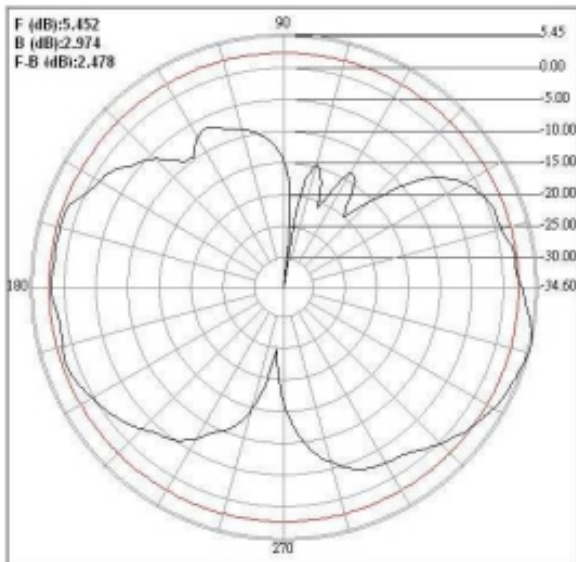
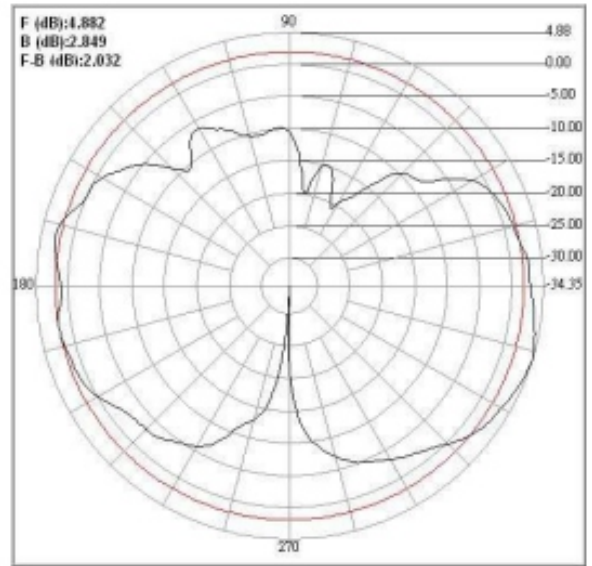
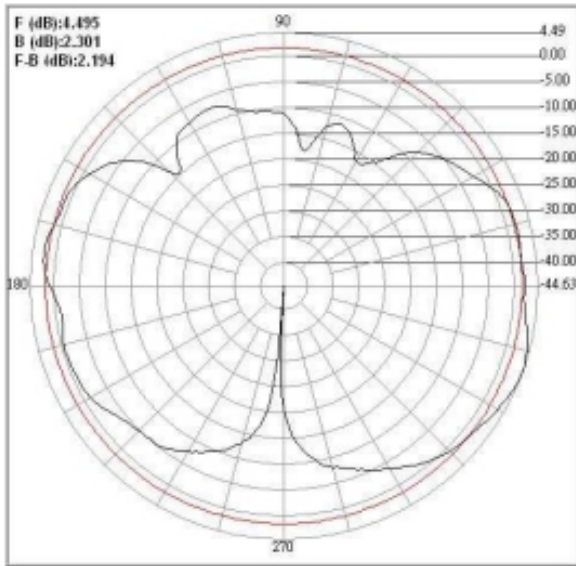
## H-Plane 2400 - 2500 MHz



## H-Plane 4900 - 5900 MHz



## E-Plane 2400 - 2500 MHz





## E-Plane 4900 - 5900 MHz

