

This antenna covers the 868MHz band. The antenna has been designed to be waterproof and is easy to install. It is circularly polarised for reading in any orientation. It can be used for improved indoor GSM coverage, due to circular polarisation. VSWR is typically less than 1.2:1, giving a return loss better than 20dB.

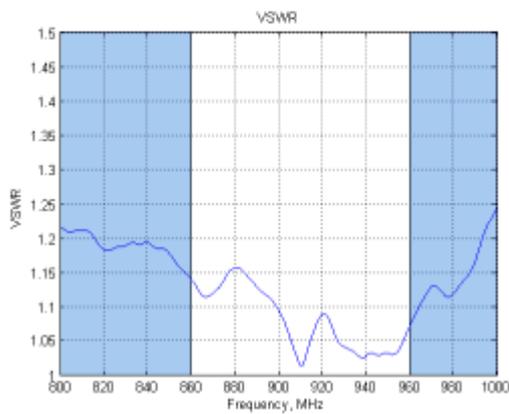
### Specifications

Gain (max)	7 dBi ( $\pm 1$ dBi)
Gain (min over the band)	6.5 dBi ( $\pm 0.5$ dBi)
Frequency	860 - 960 MHz
VSWR	< 1.3:1
Axial Ratio	< 1dB
Feed power handling	10W
E-plane 3 dB beamwidth	67° ( $\pm 5$ °)
H-plane 3 dB beamwidth	69° ( $\pm 5$ °)
Front to back (F/B ratio)	20 dB ( $\pm 3$ dB)
Nominal input impedance	50 Ohm
Polarisation	Circular
Wind Loading	160 km/h (without ice)
Temperature Range	-- 20° C to +70° C
Shock	40g at 10 msec
Thermal Shock (10 cycles)	-- 20° C to +70° C
Water Ingress Rating	IP65 (NEMA 4X)
Connector/Cable	N(f) with 30 cm RG 58
Dimensions (l x w x d)	245 x 235 x 40 mm
Weight	470 g
<b>Order number</b>	<b>CK-868</b>
Antenna with wall mount	2313-18760
Optional mas bracket	2313-18626.H

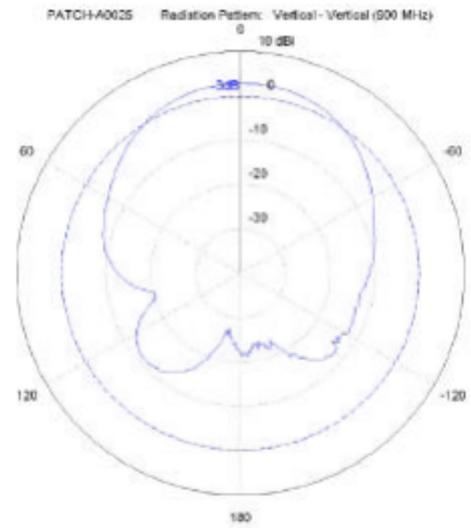
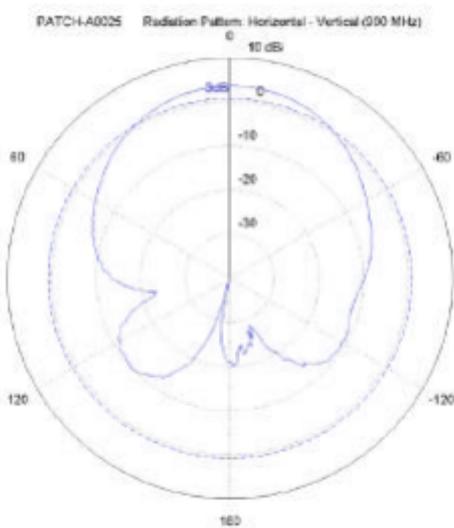
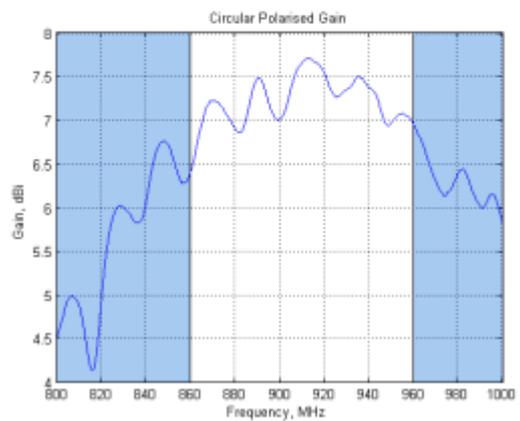


VSWR and Gain Measurements:

VSWR:

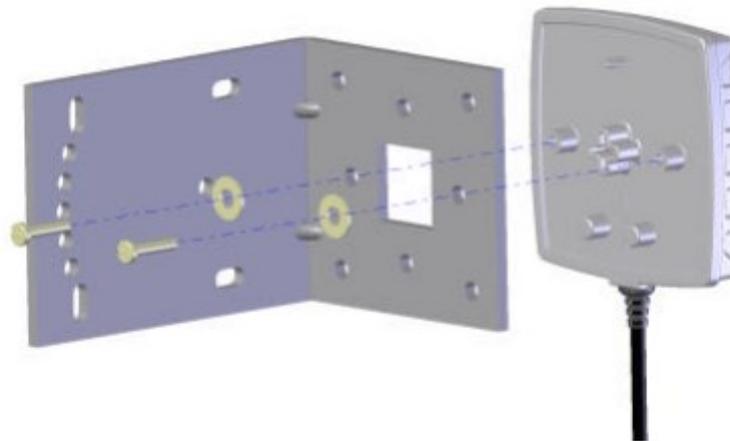


Gain

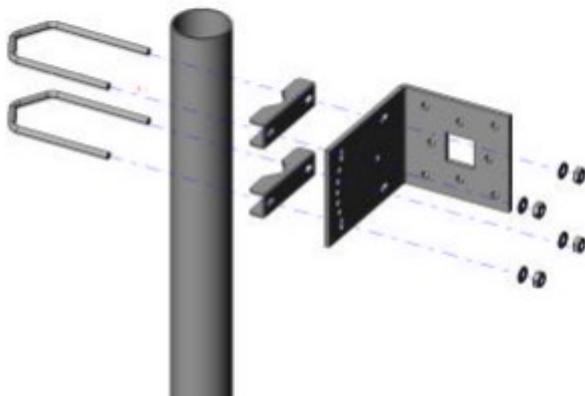


## Mounting instructions using the optional mast bracket:

- Attach the L bracket to the antenna by means of the two No.10 x 13mm self tapping screws provided. The figure below illustrates this for vertical polarisation.
- Attach the enclosure to a mast (diameter 40-50mm) using the Econo-bracket assembly as shown in below.
- The Econo-bracket can be mounted through different holes to achieve the desired tilt angle of the antenna.
- For outside installation thoroughly seal connectors with self vulcanising tape to stop water ingress.



Attach the bracket to the antenna



Attach the bracket to a pole



Changing the Tilt Angle