

CELLULAR ANTENNA INDOOR-OUTDOOR



This omnidirectional antenna model has been specially designed for outdoor and marine facilities.

The radome is designed in a very robust ABS resisting to choc and UV.

It can be used on vehicles or ships.

Despite its small size (8,2cm) it offers excellent performances with a gain of up 5dBi.

← VERSATILE

- Can be fixed on a roof, a box or a flat surface.
- With a specific kit: can be fixed on a wall or a matt

CHARACTERISTICS

Electrical	
Type	Mobile, Adhesive, Marine
Frequencies	<ul style="list-style-type: none"> • 764-960 Mhz for GSM 900 • 1710-1880 Mhz for GSM 1800 • 1920-2170 Mhz for l'UMTS • 2400 Mhz for Wi-Fi
Impedance	50Ω
Polarization	Vertical
Gain	<ul style="list-style-type: none"> • 700-800 Mhz : 3 dBi • 900-1800 Mhz : 4 dBi • 1900-2600 Mhz : 5 dBi
Power Max.	30 W
Cable	Low Loss at 5m
Connector	SMA-m

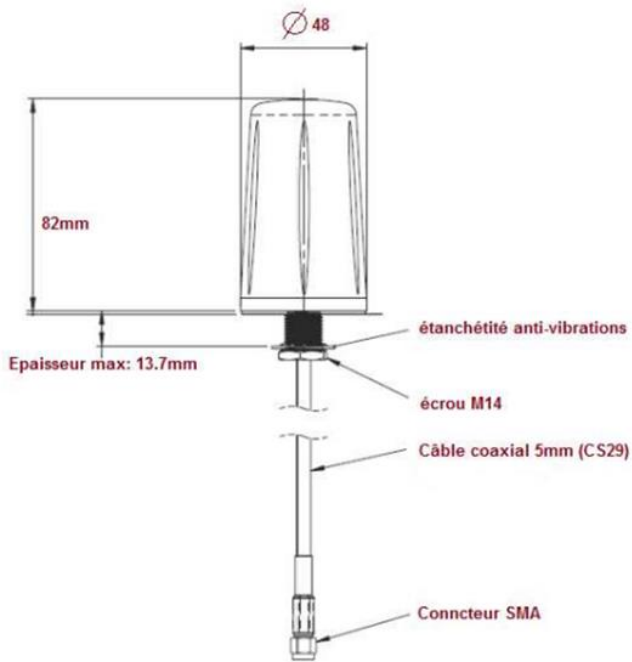
Mecanical	
Material	UV stabilized ABS / Weatherproof
Color	Black
Height	82 mm
Mounting	Adhesive + screwing
Fixation	Hole on a surface
Temperature	-40°C up to +80°C

ANT310

CELLULAR ANTENNA

2G-3G-4G

INSTALLATION



RADIATION PATTERN

