

## WI-FI INDOOR-OUTDOOR ANTENNA



This omnidirectional antenna model has been specially designed for outdoor and marine facilities.

The Radom is designed in a very robust ABS resisting to choc and UV.

It can be used on vehicles or ships.

Despite its small size (8,2cm) it offers excellent performances with a gain of up 5dBi.

### ← VERSATILE

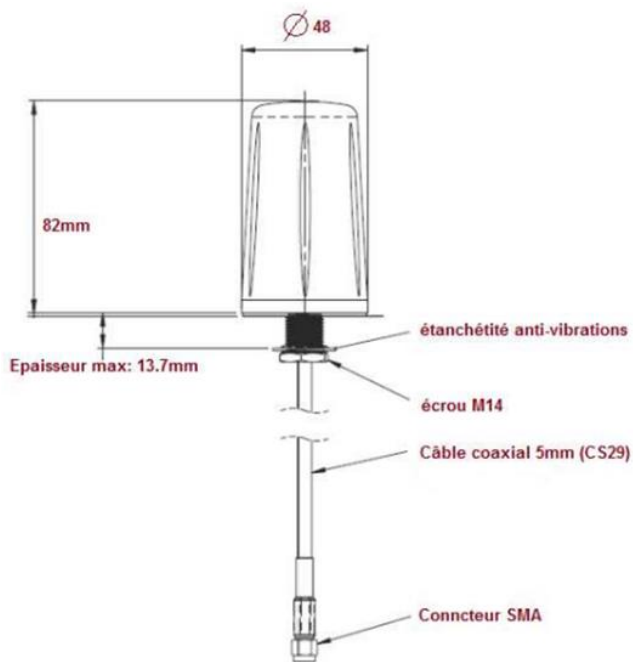
- Can be fixed on a roof, a box or a flat surface.
- With a specific kit: can be fixed on a wall or a matt

## CHARACTERISTICS

Electrical	
Type	Mobile, Adhesive, Marine
Frequencies	• 2400 for Wi-Fi
Impedance	50Ω
Polarization	Vertical
Gain	• 1900-2600 Mhz : 5 dBi
Power Max.	30 W
Cable	Low Loss at 5m
Connector	RPSMA-plug

Mécaniques	
Material	UV stabilized ABS / Weatherproof
Color	Black
Height	82 mm
Mounting	Adhesive + screwing
Fixation	Hole on a surface
Temperature	-40°C up to +80°C

## INSTALLATION



## RADIATION PATTERN

