

# BIALON NF01

Network filters for LONWORKS® **Power Line** networks



- Suppresses high-frequency interference signals
- Higher data throughput on **Power Line** networks
- Improves the network quality
- Attenuates the interference signal by 6 dB
- Easy installation on a top-hat rail

The BIALON NF 01 network filter is a critical infrastructure component for safe data transmission on LONWORKS® **Power Line** networks. It is used to suppress unidentified interference sources. The transmission quality on the network is improved by attenuating high-frequency interference signals, thus leading to a vastly improved data throughput.

The attenuation filter is installed on a DIN top-hat rail as per EN 50022. The difference to the recessed installation attenuation filter BIALON NF02 (Order no. 095027) is the housing – the functionality is identical.

## Order details

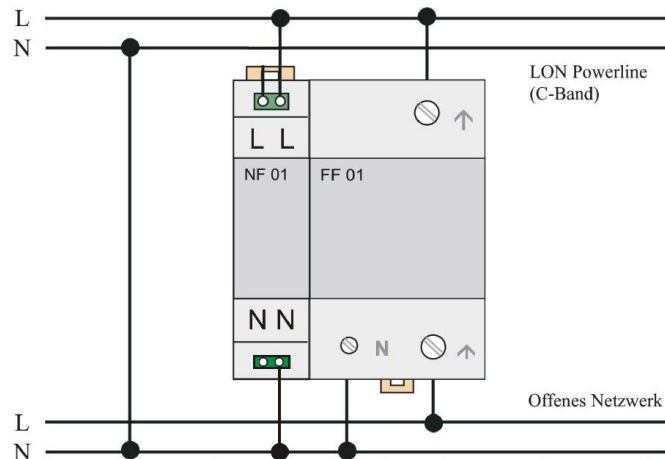
Description	Order number
BIALON NF01	095026

### Connection:

The filter must be deployed at a maximum of 6-8 m from the position where the interference signal appears to be strongest. Network interference is indicated by permanent flashing of the BIU LED on the **Power Line** modules. The filter achieves attenuation of 6 dB. To increase signal attenuation, two filters can be used in parallel. In some cases, it can be useful to install multiple filters in one building.

### Note:

The effect of the band elimination filter (Order no. 095025) can be enhanced by additionally installing this attenuation filter.



### Technical data

Mains voltage	max. 230 V AC $\pm 10\%$
Mains frequency	50 Hz
Attenuation	6 dB $\pm 10\%$
Connection phase	Terminal max. 2.5 mm <sup>2</sup>
Neutral cable connection	Terminal max. 2.5 mm <sup>2</sup>
Operating temperature	0 ... 55 °C
Relative humidity	0 ... 90 % (non-condensing)
Housing	as per EN 50022 for installation on DIN support channels, 1 separation unit,
IP degree of protection: IP20	IP 20 as per DIN EN 60529
Dimensions (L x W x H)	18 x 90 x 66 mm (1 SU)